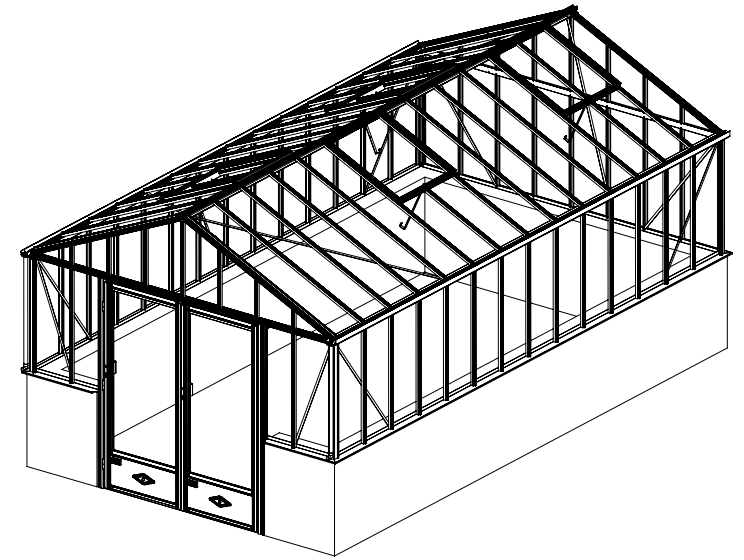
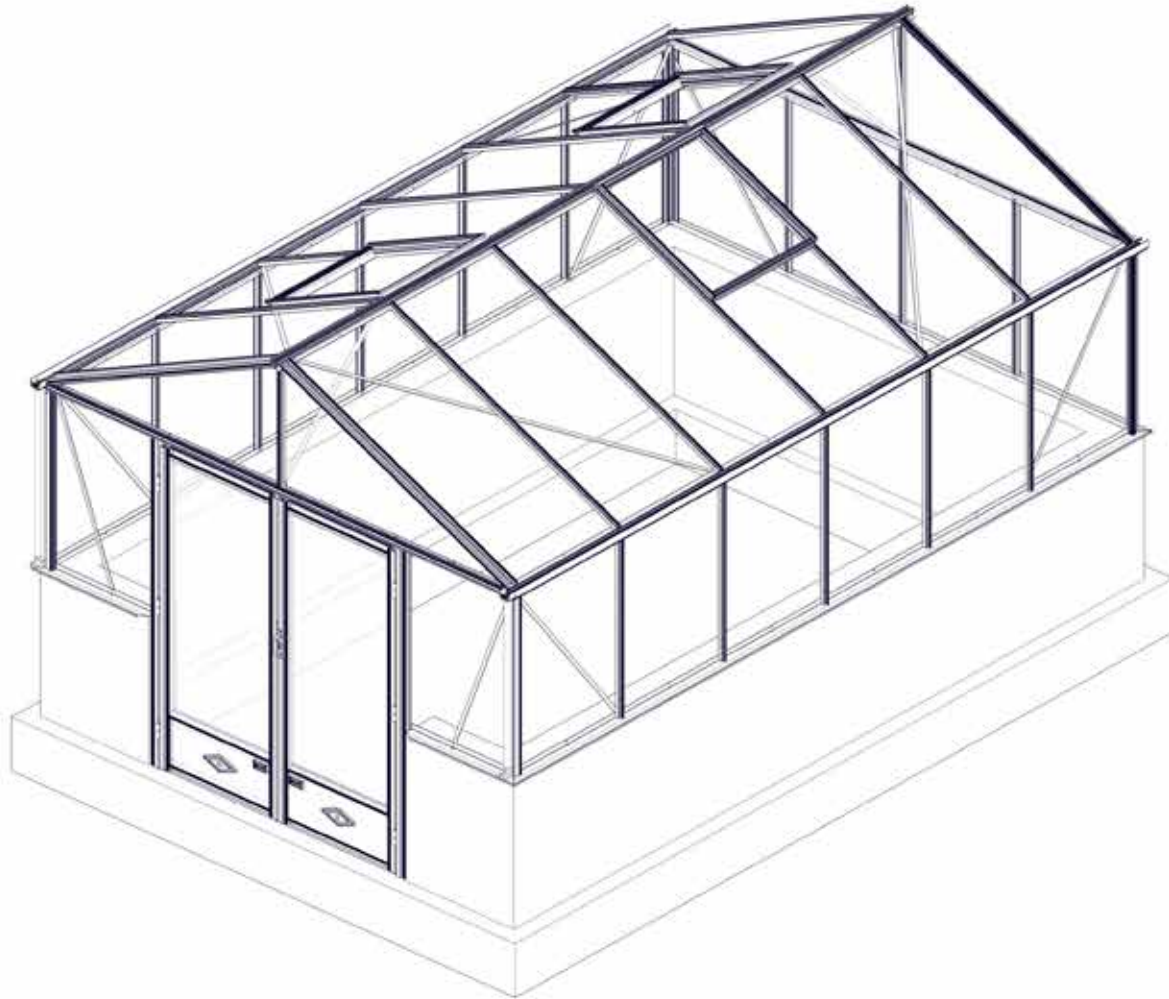


# GREENHOUSE LUXIA ON WALL

WIDTH 3,09 M



*Notice compatible with the Luxia Retro model*

# TABLE OF CONTENT

• Recommendations .....	3-4	• Assembly of the roof corner profiles to the gutter .....	19
• Parts list of components .....	5	• Assembly of the roof corner profiles to the ridge .....	20
• Parts list of profiles .....	6-7	• Fastening the roof corner profiles, ridge and angle - overview.....	21
• Masonry plan of the low wall .....	8	• Assembly of the ridge, ridge angle and wind braces - detailed view .....	22-23
• Installing the water discharge plate.....	9	• Assembly of the gable-ridge-reinforcement.....	24
• Assembly of the wall corner profile - view from above .....	10	• Information on the installation of the glazing and seal .....	25
• Assembly of the wall corner profiles - detailed view .....	11	• Installation of the glazing .....	26
• Assembly of the crossbeams and wind braces (upper part) on the gable sides ....	12	• Installation of the glazing - Retro version.....	27
• Assembly of the gutter and wind braces (upper part) on the long sides .....	13	• Assembly and Installation of the door.....	28-31
• Assembly of the wall struts and wind braces (lower part) on all sides .....	14	• Assembly and installation of the roof window.....	32-33
• Assembly of the angle brackets and doorframe profiles .....	15	• Installation of the lower window strut .....	34
• Assembly of the lintel and the door threshold .....	16	• Completion .....	35-36
• Assembly of the gable struts and the reinforcement (lower part) .....	17	• Installing the ridge cresting .....	37
• Identifying the left and right roof corner profiles .....	18	• Options & accessories .....	38-39

## COMPLEMENTARY INFORMATION FOR THE RETRO MODELS

### Luxia Retro

Follow the assembly steps while using all the wall profiles, roof profiles and glazing delivered with your greenhouse.

The number of pieces will be higher than presented on the model of this assembly manual: with the Retro version the glazing is 36 cm large instead of the standard 73 cm. This implies that there is an additional profile between those presented on the instructions, including under the windows (see markings on page 7).

# RECOMMENDATIONS

## IMPORTANT

### **Remember to declare your greenhouse to your insurer.**

Please read these instructions carefully before starting with the assembly.

Please ensure that all the individual parts listed in these instructions are included in the scope of delivery and check the quantities.

Please follow the steps in the order given in the instruction manual.

Do not be surprised if you see some aluminium profiles that have  $\varnothing 3$ mm small holes, although according to the instructions no holes are provided. These holes were used to hang the profiles in the spraying booth using a 3 mm steel wire.

## SAFETY INSTRUCTIONS

Please wear gloves, shoes and protective goggles when assembling the greenhouse.

Take into account the safety instructions for the tools you use for this assembly.

Do not set up your greenhouse in bad weather (rain, wind, thunderstorms...).

The greenhouse must be assembled by a minimum of 2 people.

The plastic bags and small parts should be kept out of the reach of children. Keep children away from the assembly area.

Aluminium is an electrically conductive metal, keep the aluminium profiles away from all electrical sources.

Heat generating appliances (barbecue, burners, ...) must not be stored in the greenhouse.

The greenhouse must be placed and fixed on a horizontal and level floor, not exposed to the wind.

Make sure that there are no networks (water, electricity or gas) under the installation site.

Caution, do not climb onto the roof: risk of falling and serious injury.

In case of heavy snowfall, do not let the snow accumulate on the roof.

## MAINTENANCE INSTRUCTIONS

Use clear soapy water to clean your greenhouse.

Do not use acetone, abrasive cleaners or other cleaning agents to clean the greenhouse.

**Do not use a high-pressure cleaner to avoid damaging the paint.**

Lubricate the door rail regularly.

Clear the roof of snow and leaves.

## CUSTOMER SERVICE AND INFORMATION

Website: [www.sav-doviris.com](http://www.sav-doviris.com)

# RECOMMENDATIONS

## ACCESSORIES INCLUDED



Combination wrench Ø10

Screw end Ø 10

Suction cup

Sealing roller



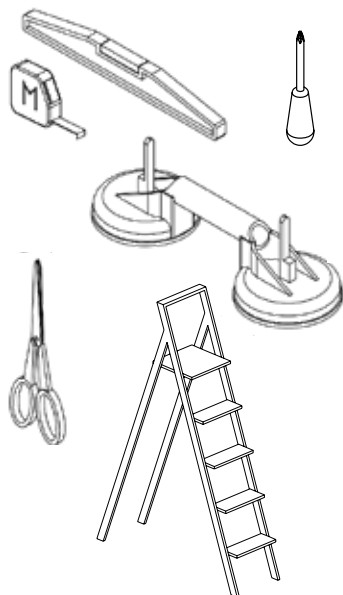
Gloves



Thermometer

## NECESSARY TOOLS

- Level
- Measuring tape
- Rubber mallet
- Scissors (to cut the seal)
- Screwdriver
- Ø 8 mm wrench (for palmette and logo)
- Ø 13 mm wrench (for the roller nut)
- Cordless screwdriver
- Ladder



Ø 8 mm

Concrete drill bit

## ASSEMBLING THE PROFILES OF YOUR GREENHOUSE

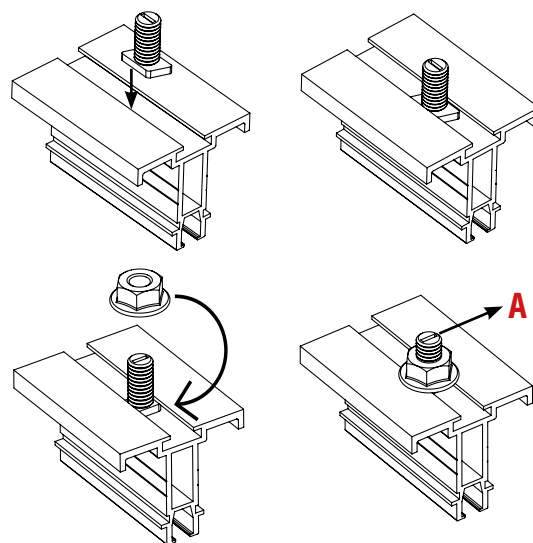
The M6 nuts (31) and screws (30) (hammer-head and hexagonal - 50% each) are essential components for the assembly.

La vis tête marteau s'insère à tout moment dans votre profil. Mais il convient de s'assurer qu'une fois vissée, la tête marteau est bien positionnée pour éviter qu'elle ne sorte pas du profil.



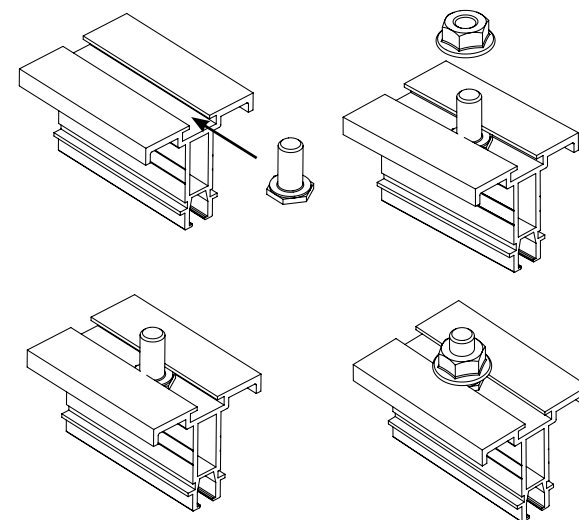
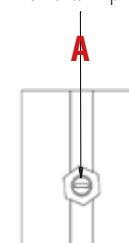
La vis tête hexagonale se glisse dans le profil. Elle ne peut plus sortir du profil mais il faut la faire glisser au préalable.

**Favour hexagonal screws as much as possible at the beginning of the assembly. On the instructions you will only find illustrations of the hammer-head screw (30), but you can use the screw of your choice.**



At the foot of the hammer-head screw there is a slot. The perpendicular positioning of the slot to the the profile groove (visual **A**) ensures that the head of the screw is correctly inserted.

Horizontal imprint





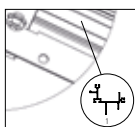
# PARTS LIST OF COMPONENTS

The 6-digit part number (ex.: 795526) enables identification of the components in case of exchanges with you and our customer service.

Component detail	Part number	Component detail	Part number	Component detail	Part number	Component detail	Part number	Component detail	Part number
<i>Door lintel</i> 19	796002 40 x 40 x 1675 mm	<i>Lens-head screw 4,2x13mm</i> 28	365423	<i>Screw POZI M5x60 for water discharge plate</i> 37	365548	<i>Cylinder and keys</i> 46	796023	<i>Screw M6x20 for hinge</i> 55	365418
<i>Door threshold</i> 20	796001 30 x 30 x 2 mm L.1595mm	<i>Ridge angle</i> 29	794259	<i>Nylon dowel 8x40mm</i> 38	365580	<i>Set of 2 door handles</i> 47	795986	<i>Rubber seal wall and roof profiles</i> 56	794421
<i>Ridge cover</i> 21	953913	<i>Hammer-head screw M6x12</i> <i>Hexagonal screw M6x12</i> 30	795344	<i>Lens-head screw 4,8x25mm</i> 39	796735	<i>Lock</i> 48	796022	<i>Rubber seal lower window profile</i> 57	795456
<i>Gutter endpiece</i> 22	953907	<i>Nut M6</i> 31	789280	<i>Pipe angle 90° Ø32mm</i> 40	367140	<i>Strike</i> 49	796763	<i>Rubber seal doors and windows</i> 58	606162
<i>Doorplate</i> 23	795211 1031 x 267 mm	<i>Plastic cover cap M6 black</i> 32	365483	<i>Downpipe clamp Ø32mm</i> 41	795337	<i>Hinge</i> 50	Left - 364404 Right - 364405	<i>Obturator for 8mm polycarbonate</i> 59	795795
<i>Manual window opener</i> 24	953914	<i>Plastic cover cap Ø10mm for door</i> 33	795345	<i>Lens-head drilling screw 4,8x25</i> 42	796735	<i>Covering plate</i> 51	Door frame 797699 Door (gash) 797700	<i>This obturator is directly inserted at the bottom of the polycarbonate pane on the roof if you have chosen this option.</i>	
<i>Gutter outlet Ø32mm</i> 25	795032	<i>Hexagonal drilling screw 6,3x25,4</i> 34	365424	<i>Hammer-head screw M6x18</i> 43	365404	<i>Bolt Ø8mm black</i> 52	789402		
<i>Lams logo</i> 26	794995	<i>Hexagonal screw M5x8mm for palmette and logo</i> 35	364408	<i>Hexagonal screw M6x20 (2 per window)</i> 44	624245	<i>Lens-head drilling screw 4,2x15mm</i> 53	365426		
<i>Palmette</i> 27	363235	<i>Plastic cover cap M5 black</i> 36	787551	<i>Door angle bracket</i> 45	796003 40 x 40 x 830 mm	<i>Screw 4,2x15mm for lock</i> 54	794669		

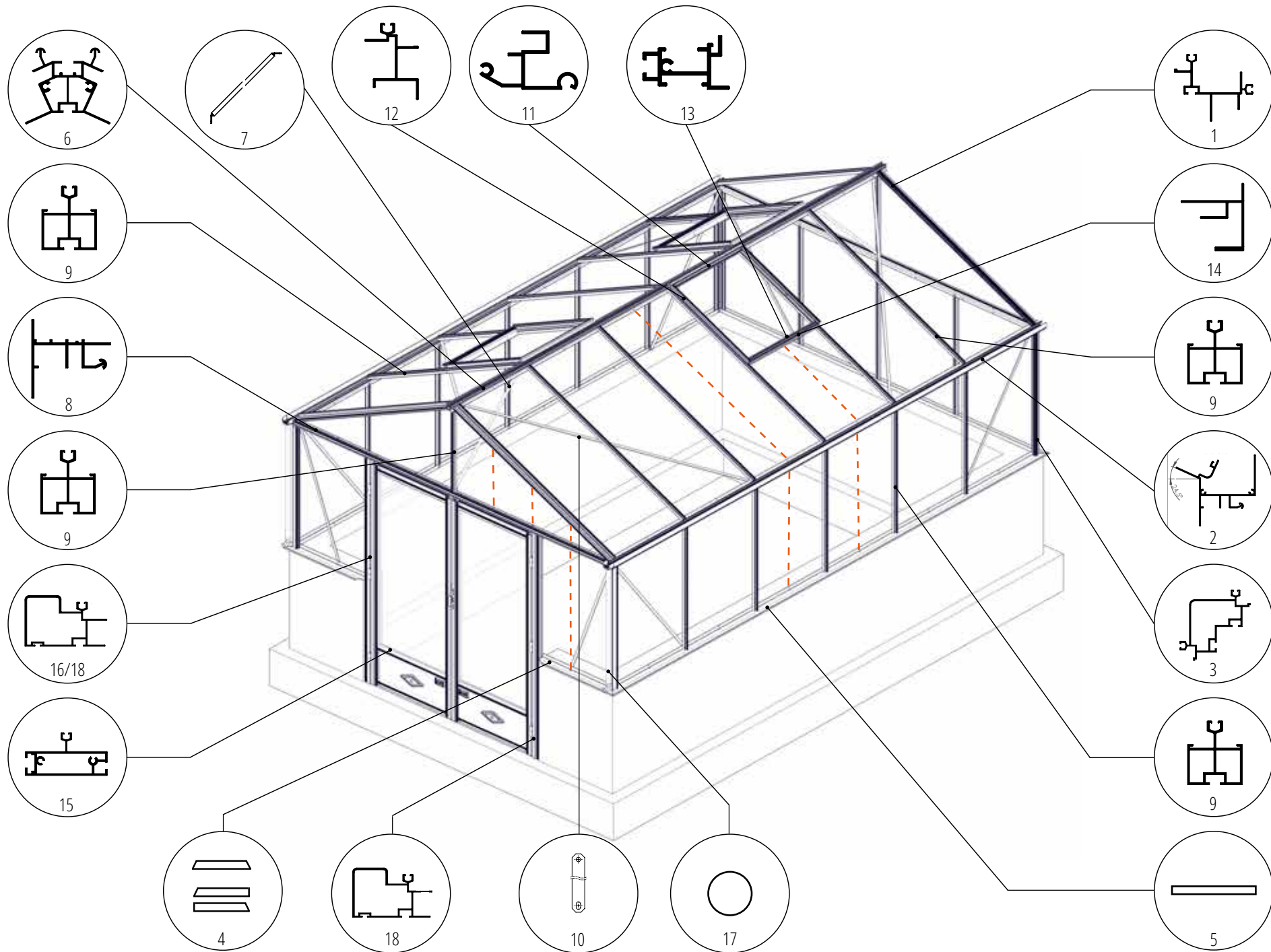
# PART LIST OF PROFILES

Indication on the instructions



The 6-digit part number (ex.: 954927) enables identification of the components in case of exchanges with you and our customer service.

Component detail	Part number	Component detail	Part number	Component detail	Part number
<p>Roof corner profile</p>	<p>Facing the greenhouse Left side : 604514 - L.1629mm Right side : 604513 - L.1629mm</p>	<p>Crossbeam</p>	<p>Luxia : 994814 x 2 pcs L. 2992 mm  Luxia Retro : 798561 x 2 pcs L. 2992mm</p>	<p>Window profile - Side</p>	<p>952903 L. 810 mm</p>
<p>Gutter</p>	<p>3,09 m : 795484 - L.3096mm 3,80 m : 954928 - L.3836mm 4,57 m : 952899 - L.4576mm 5,30 m : 954941 - L.5316mm 6,04 m : 954942 - L.6056mm</p>	<p>Wall, gable and roof struts</p>	<p><b>Number of pieces depending on the greenhouse size</b> Wall : 952895 - L. 1008 mm Roof : 952897 - L. 1629 mm  Gable : 952901 x 2 pcs - L. 688 mm</p>	<p>Window profile - Bottom</p>	<p>952905 L. 731 mm</p>
<p>Wall corner profile (left/right)</p>	<p>Facing the greenhouse Left side (L) : 796006 - L.1008mm Right side (R) : 796007 - L.1008mm</p>	<p>Gable struts (Retro)</p>	<p><b>Left side</b> 795885 - L. 534 mm 994796 - L. 365 mm 994797 - L. 197 mm <b>Right side</b> 994795 - 534 mm 795886 - L. 365 mm 795887 - L. 197 mm</p>	<p>Window stopper</p>	<p>953906 L. 763 mm</p>
<p>Water discharge plate - Gable side</p>	<p>Gable side without door : 796019 - L.3136mm</p>	<p>Under window strut (Retro)</p>	<p>994794 - L. 830 mm</p>	<p>Intermediate profile</p>	<p>952911 L. 1030 mm</p>
<p>Water discharge plate - Long side</p>	<p>Side without door 4,57 m : 797345 - L.4616mm  Side with door 4,57 m 1/2 : 605281 4,57 m 2/2 : 604707</p>	<p>Wall and Roof windbraces</p>	<p><b>3,09 m / 3,80 m / 4,57 m</b> Roof windbraces : 795840 L. 2167 mm x 4 pcs  Wall windbraces : 796000 L. 1246 mm x 8 pcs</p>	<p>Door profile left/right</p>	<p>Left profile with hinges : 605289 Right profile with hinges : 605291 Profile with lock : 605290 Profile with strike : 605289 L. 1798 mm</p>
<p>Ridge</p>	<p>3,09 m : 795483 3,80 m : 954929 4,57 m : 952902 5,30 m : 954943 6,04 m : 954944</p>	<p>Window profile - Top</p>	<p><b>L. 5,30 m / 6,04 m</b> Roof windbraces : 953912 L. 2718 mm x 4 pcs  Wall windbraces : 796000 L. 1246 mm x 8 pcs</p>	<p>Downpipe Ø 32 mm</p>	<p>953908 L. 1895 mm</p>
<p>Gable-ridge-reinforcement</p>	<p>953911 x 2 pcs L. 989 mm Ø20mm</p>	<p>Doorframe profile</p>	<p>952904 L. 770 mm</p>	<p>Doorframe profile</p>	<p>Facing the greenhouse Left side : 796078 - L.1838mm L. 1838 mm</p>

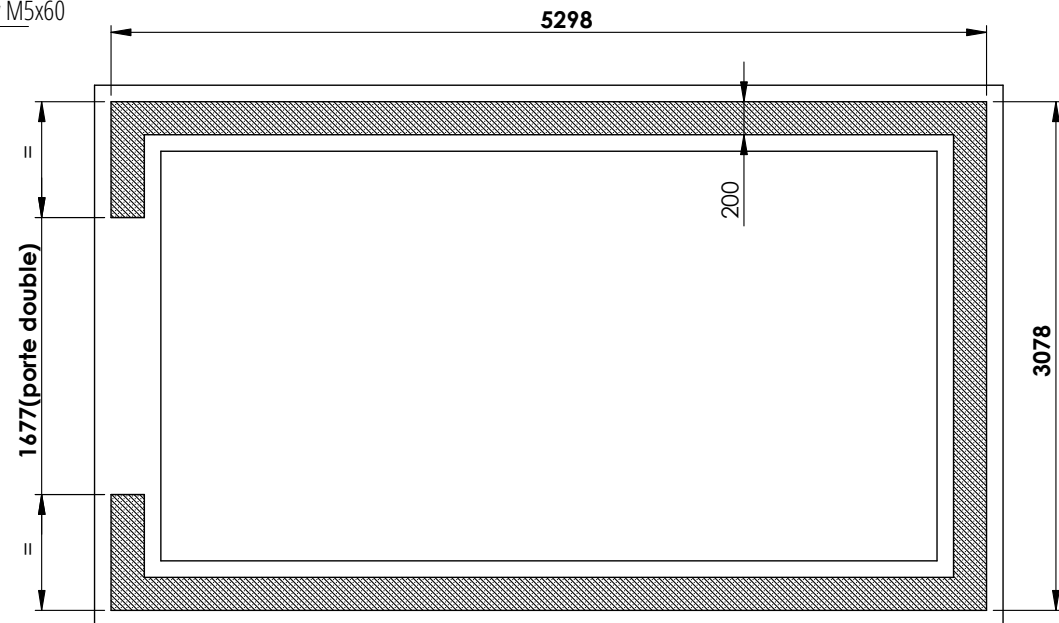
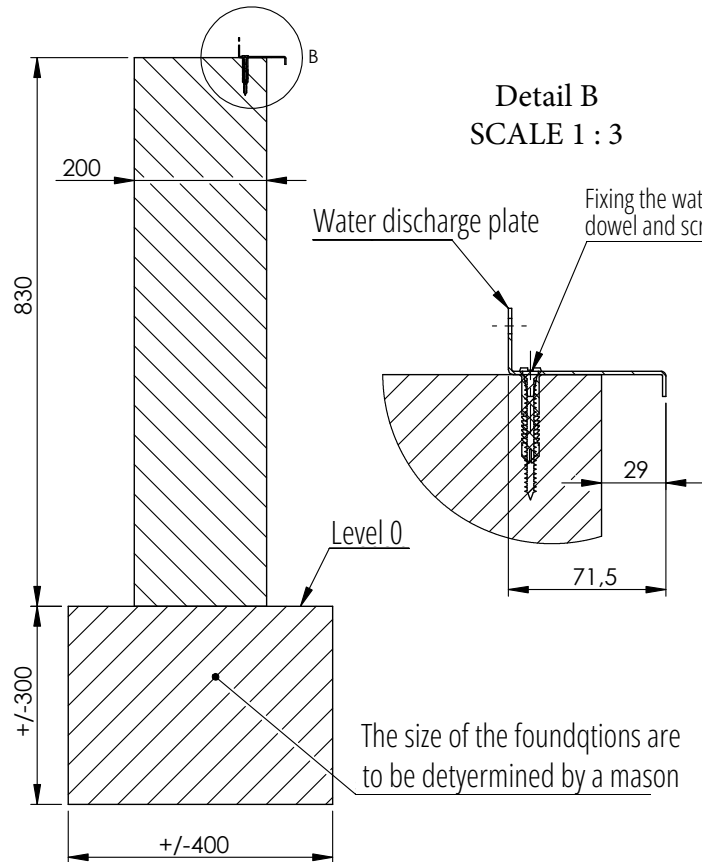
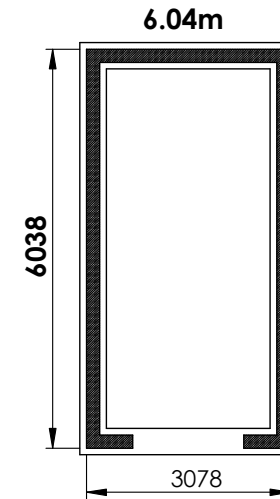
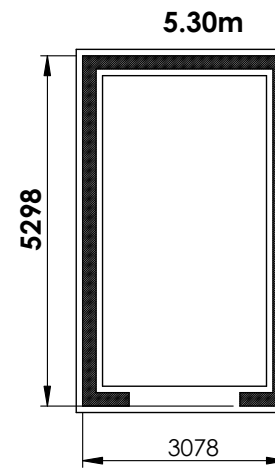
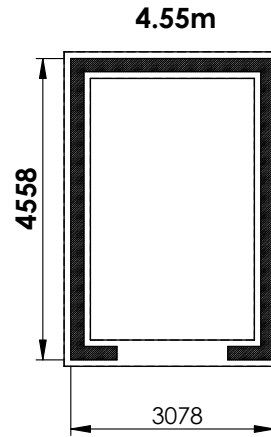
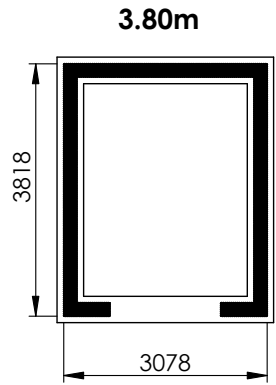
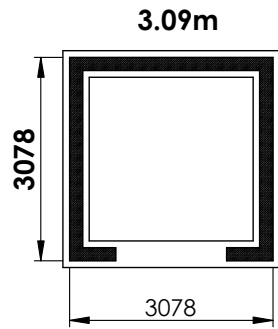


--- Additional struts for the Retro version of the Luxia greenhouse

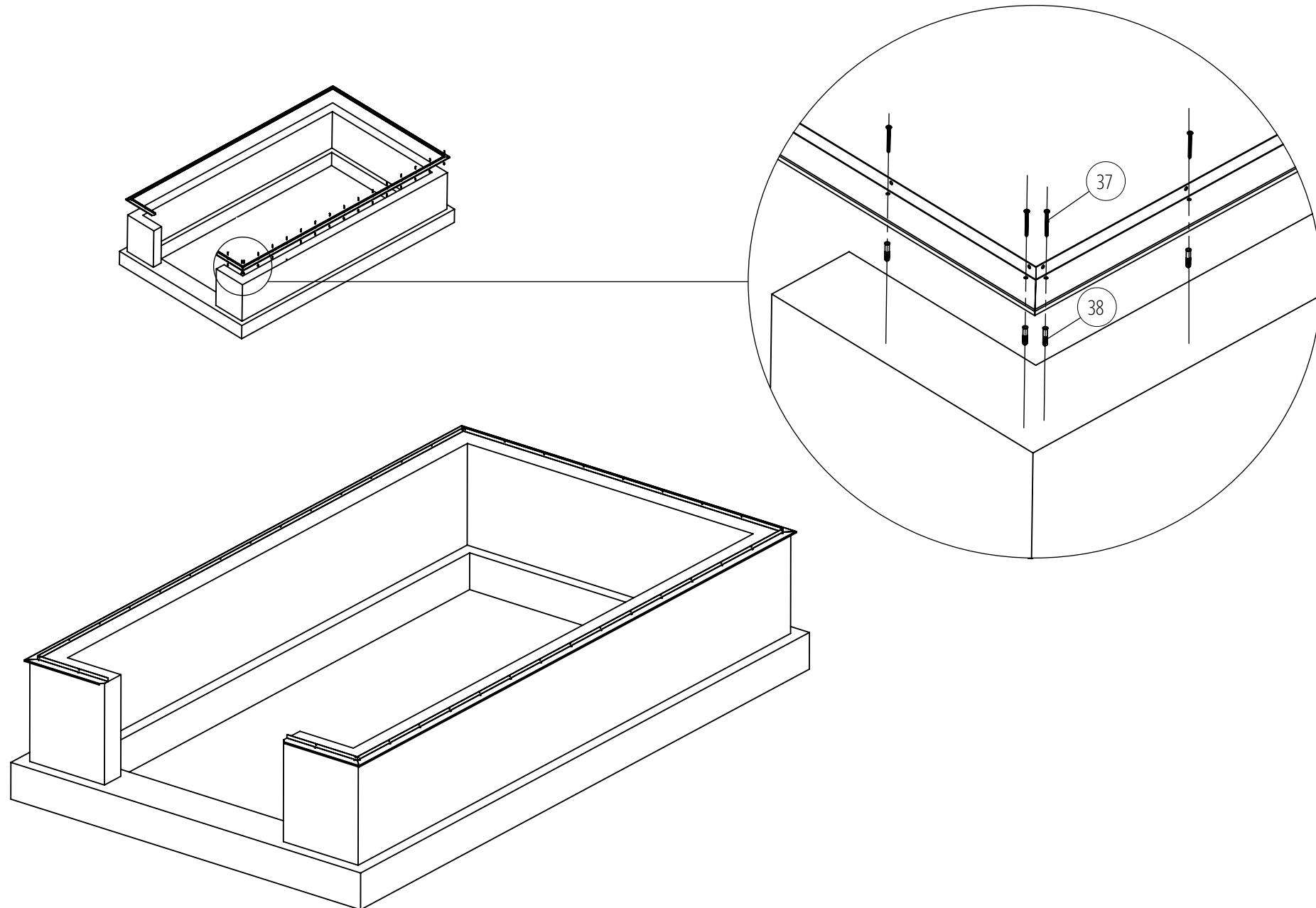
# MASONRY PLAN OF THE LOW WALL

Greenhouse width 3,09 m

Depending on the greenhouse length

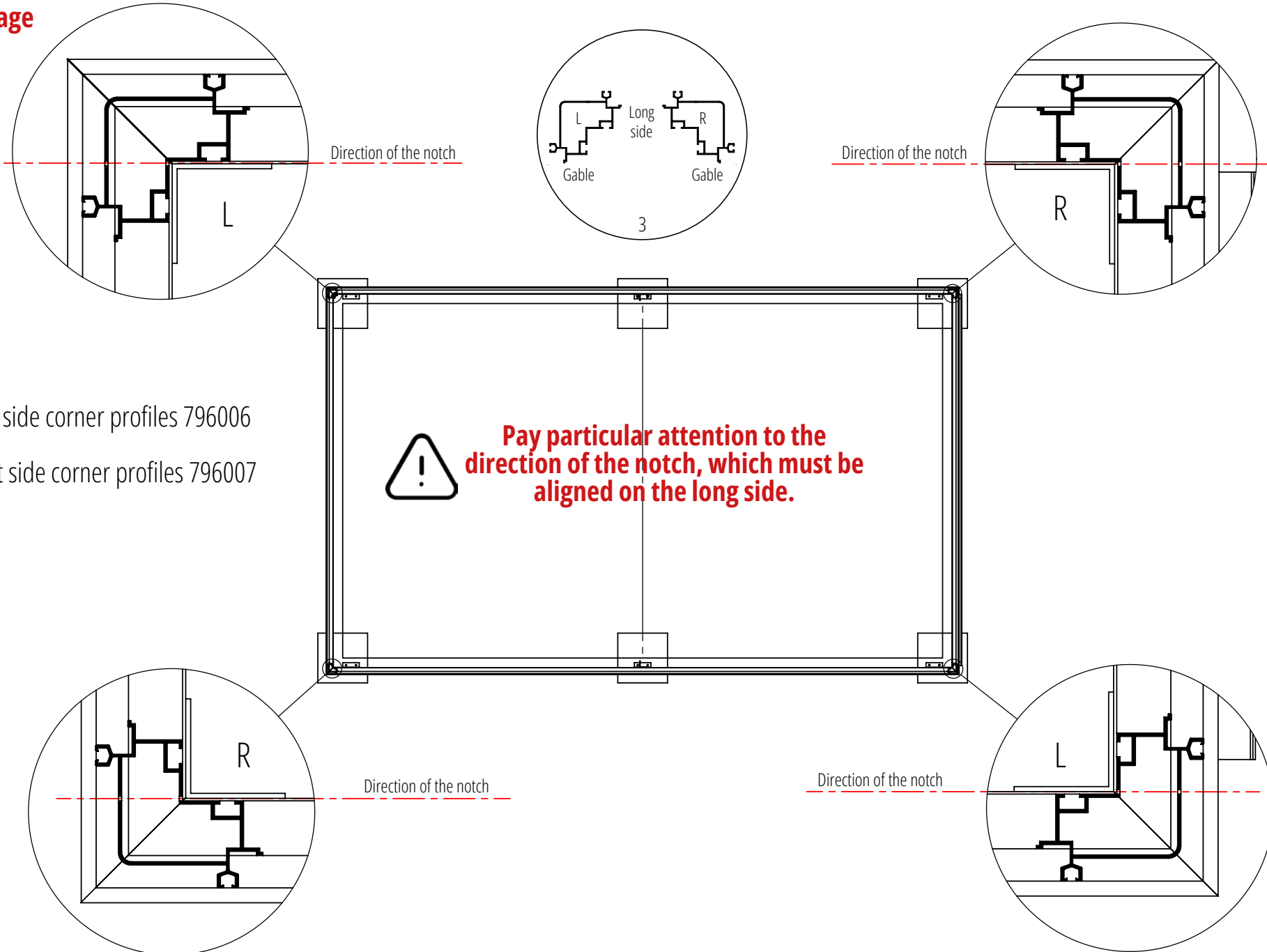


# INSTALLING THE WATER DISCHARGE PLATE



Detailed view on  
the next page

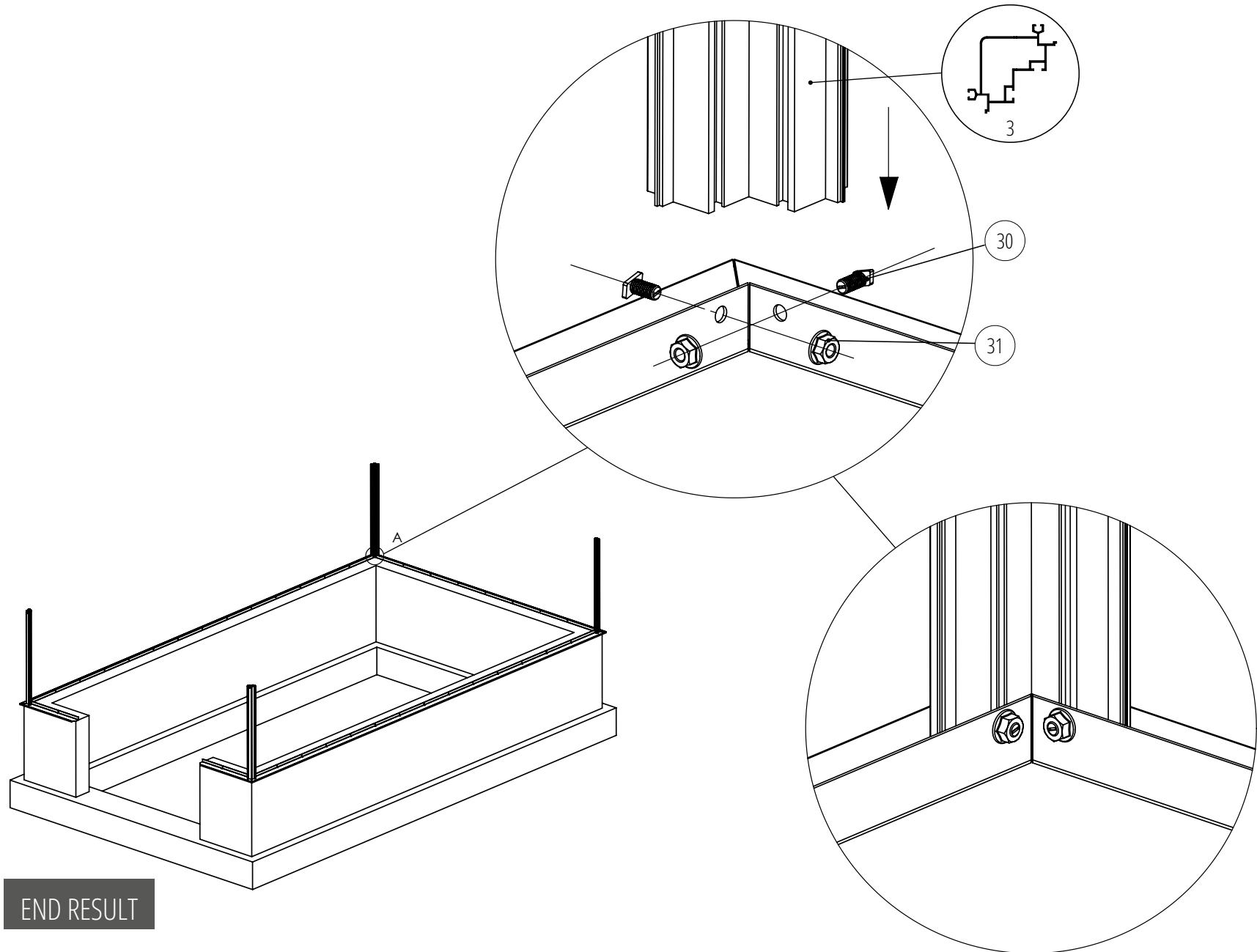
## ASSEMBLY OF THE WALL CORNER PROFILE - VIEW FROM ABOVE



2 Left side corner profiles 796006

2 Right side corner profiles 796007

# ASSEMBLY OF THE WALL CORNER PROFILES - DETAILED VIEW

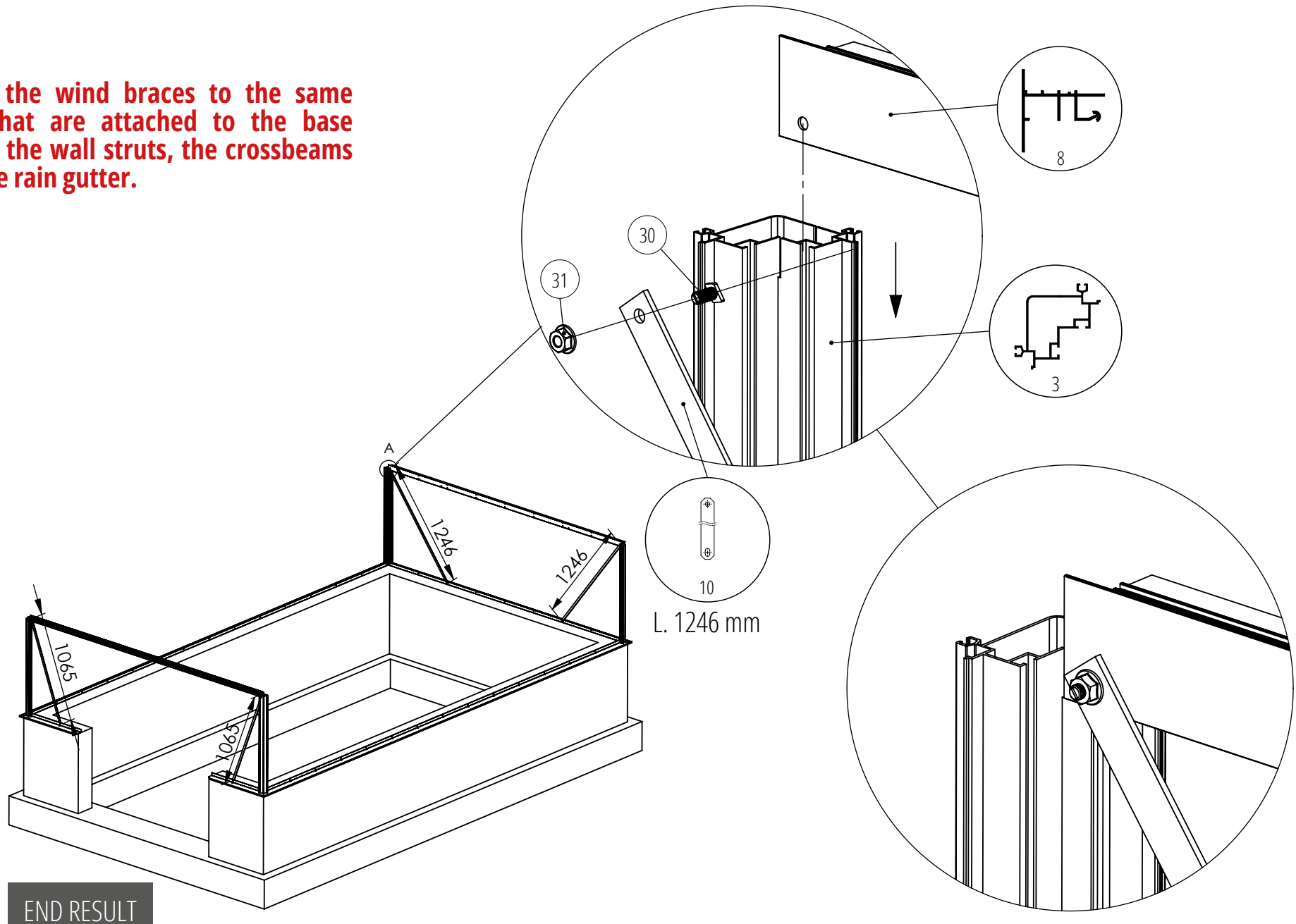


END RESULT

# ASSEMBLY OF THE CROSSBEAMS AND WIND BRACES (UPPER PART) ON THE GABLE SIDES

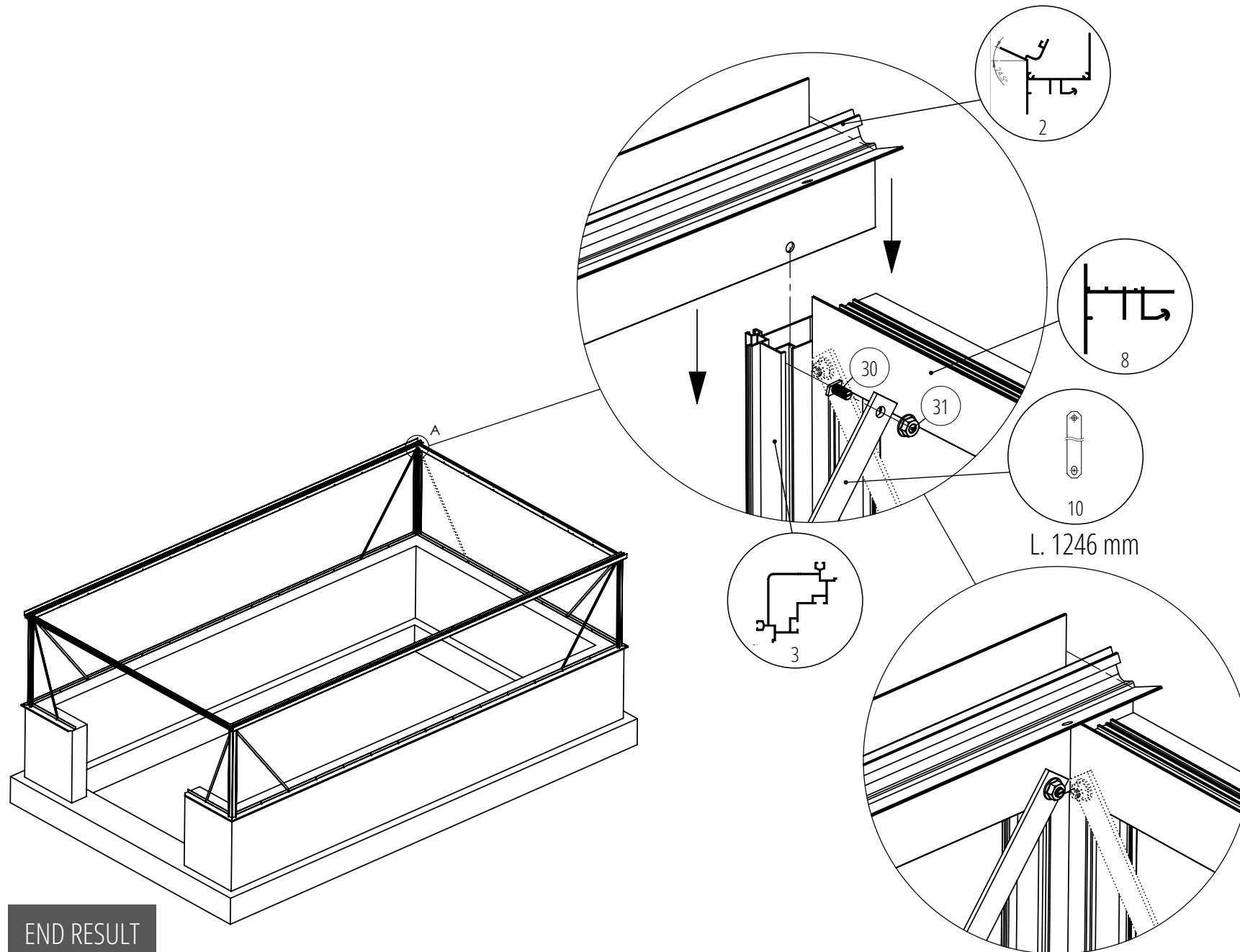


**Screw the wind braces to the same nuts that are attached to the base frame, the wall struts, the crossbeams and the rain gutter.**



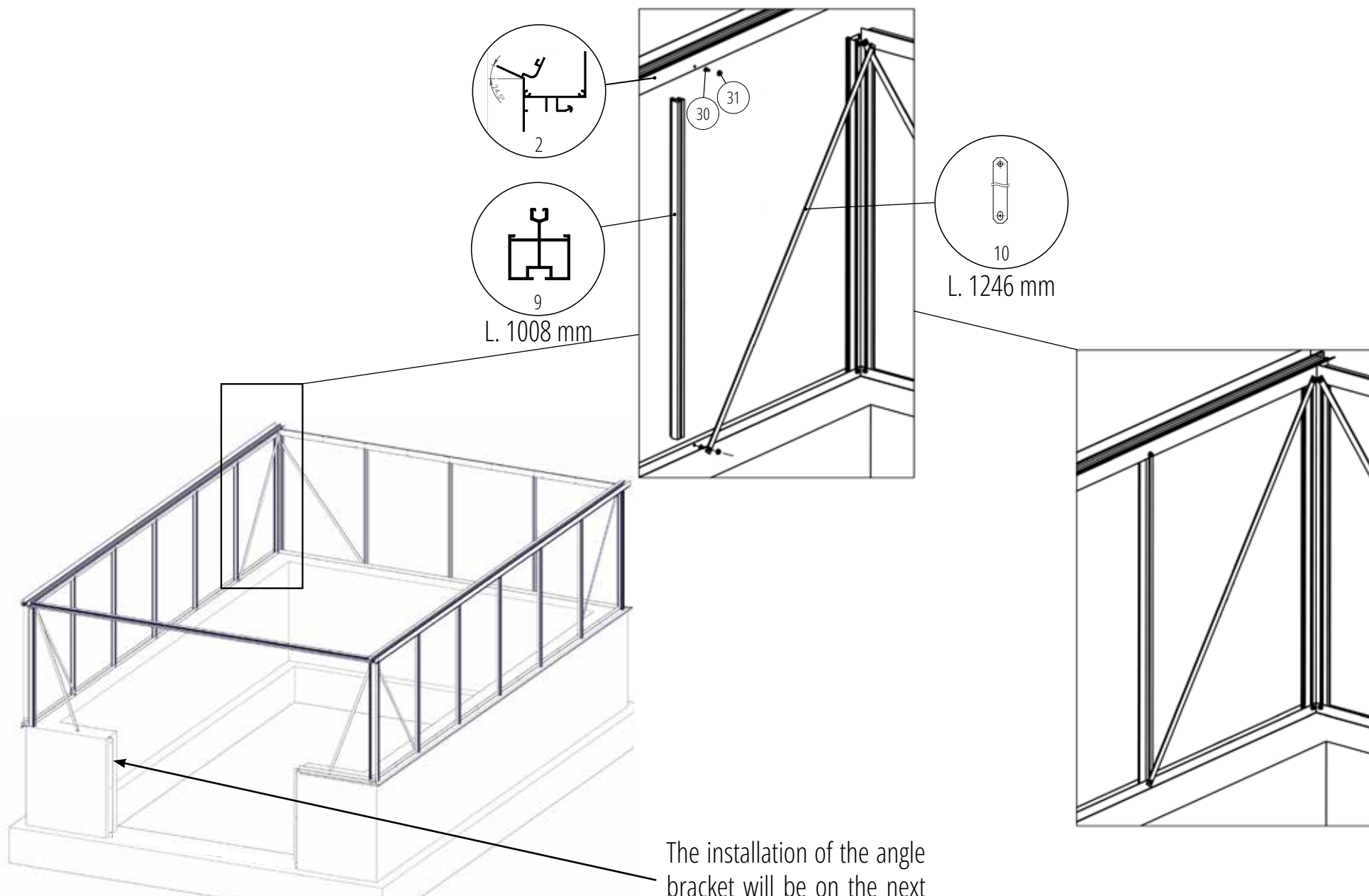
END RESULT

# ASSEMBLY OF THE GUTTER AND WIND BRACES (UPPER PART) ON THE LONG SIDES



END RESULT

# ASSEMBLY OF THE WALL STRUTS AND WIND BRACES (LOWER PART) ON ALL SIDES



The installation of the angle bracket will be on the next page

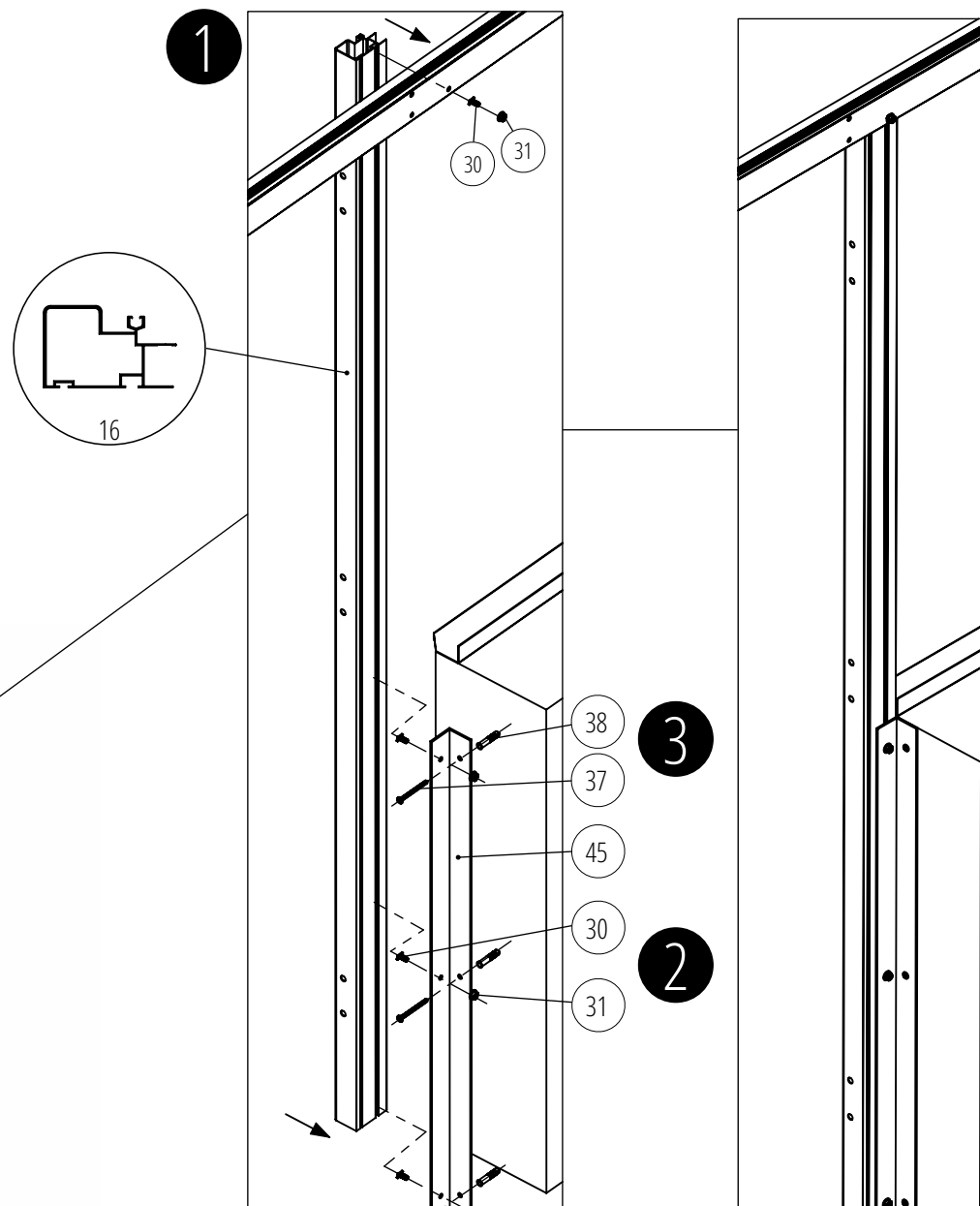
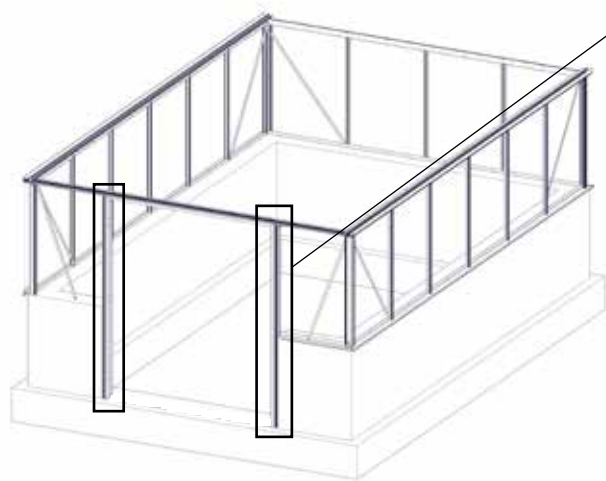
# ASSEMBLY OF THE ANGLE BRACKETS AND DOORFRAME PROFILES

**Step 1 :** Fix the upper part of the doorframe profile on the crossbeam (or on the gutter if you chose a door on the long side)

**Step 2 :** Fix the angle bracket to the doorframe profile with the hammer-head screw (30) et nut (31).

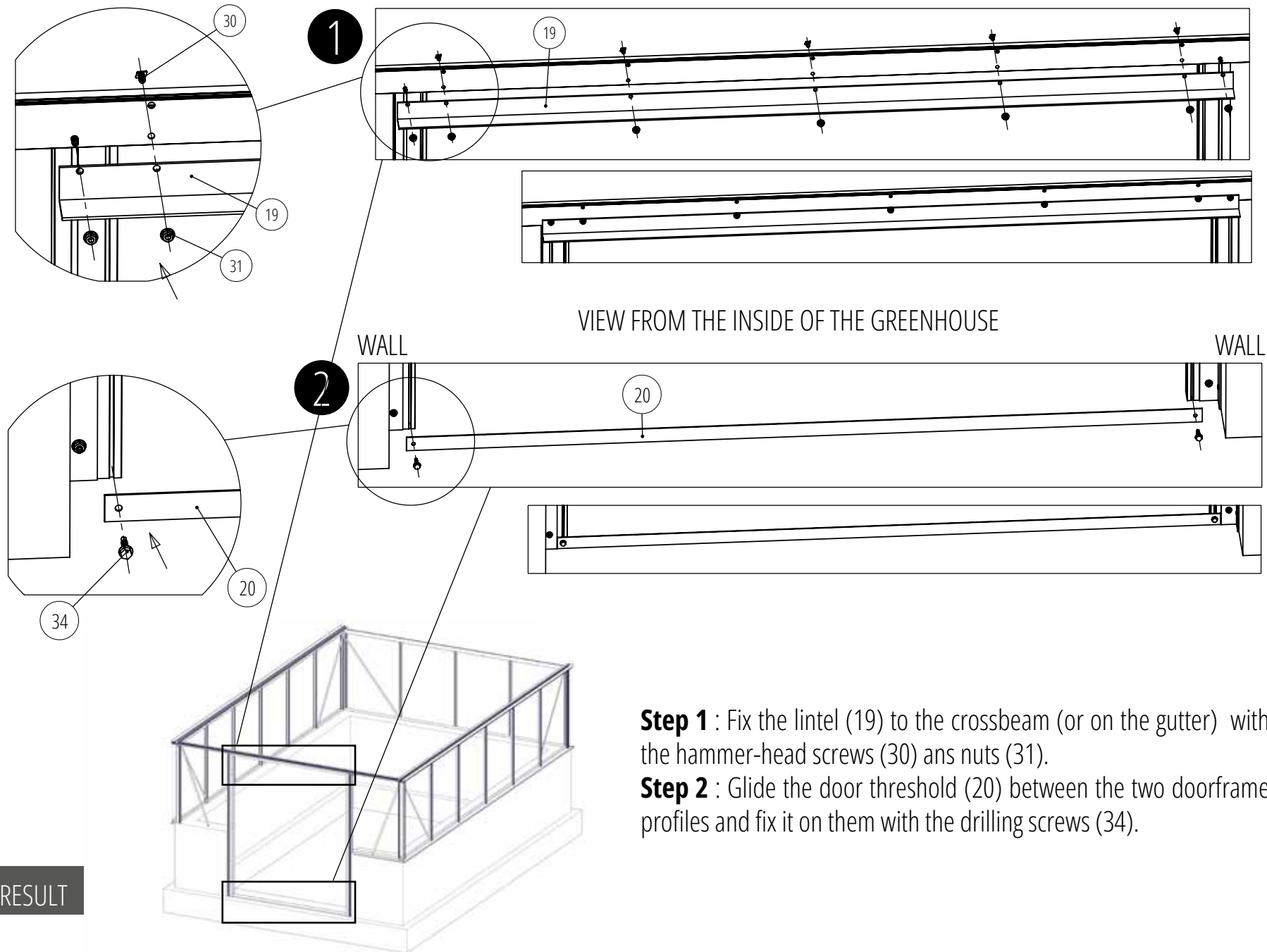
**Step 3 :** Screw the angle bracket into the wall with the dowel and screws (37 et 38).

*Make sure that the doorframe profiles are on a level position.*



END RESULT

# ASSEMBLY OF THE LINTEL AND THE DOOR THRESHOLD

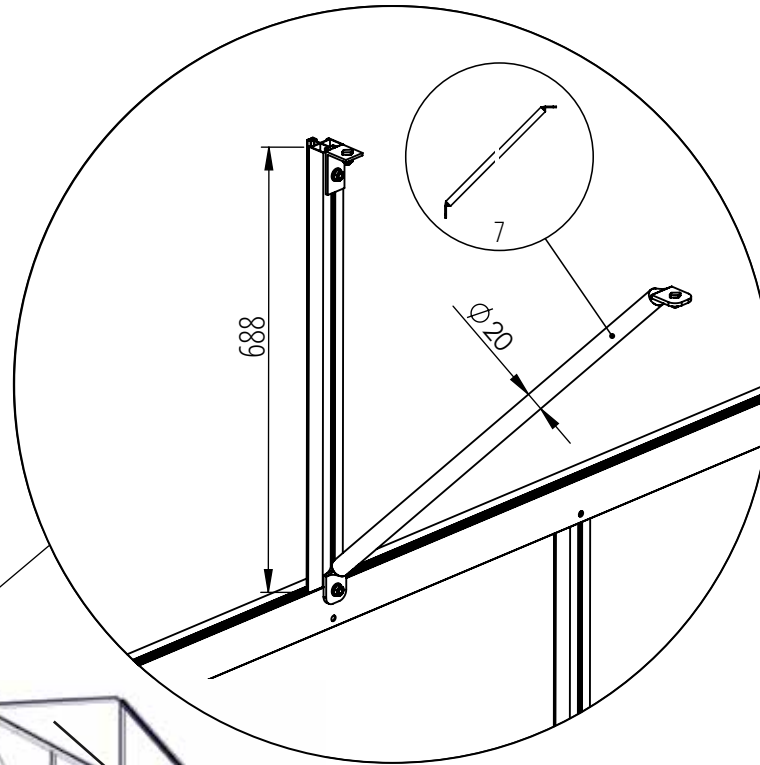
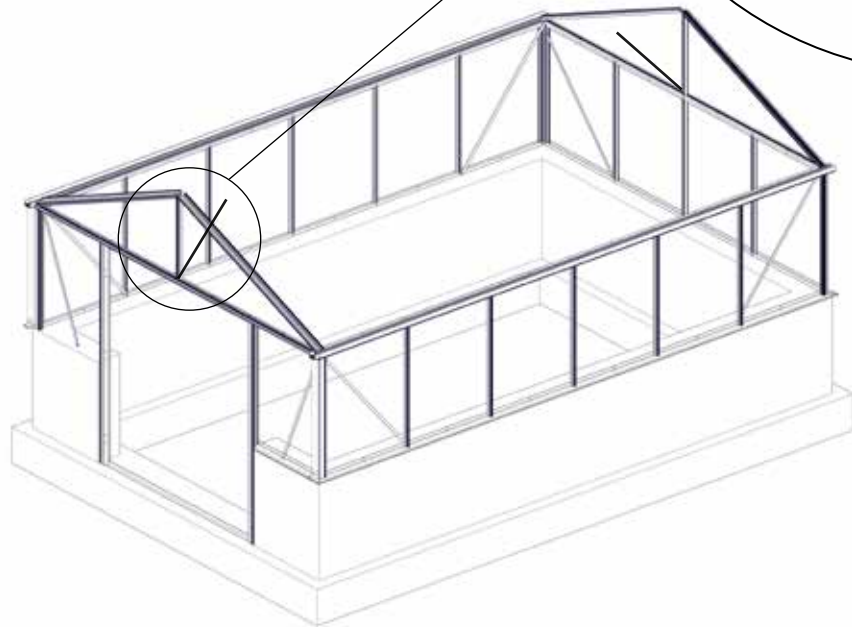


END RESULT

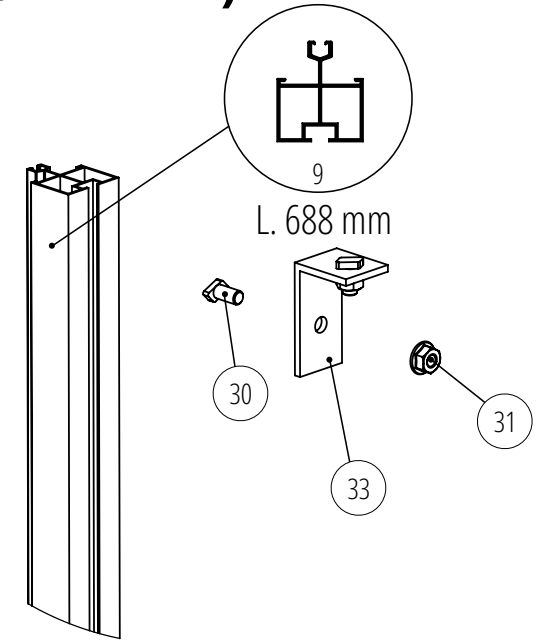
- Step 1 :** Fix the lintel (19) to the crossbeam (or on the gutter) with the hammer-head screws (30) and nuts (31).
- Step 2 :** Glide the door threshold (20) between the two doorframe profiles and fix it on them with the drilling screws (34).

# ASSEMBLY OF THE GABLE STRUTS AND THE REINFORCEMENT (LOWER PART)

END RESULT

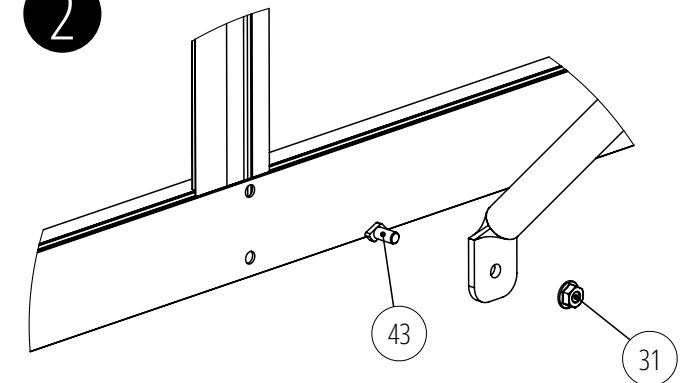


1



Fix the ridge angle on the gable strut

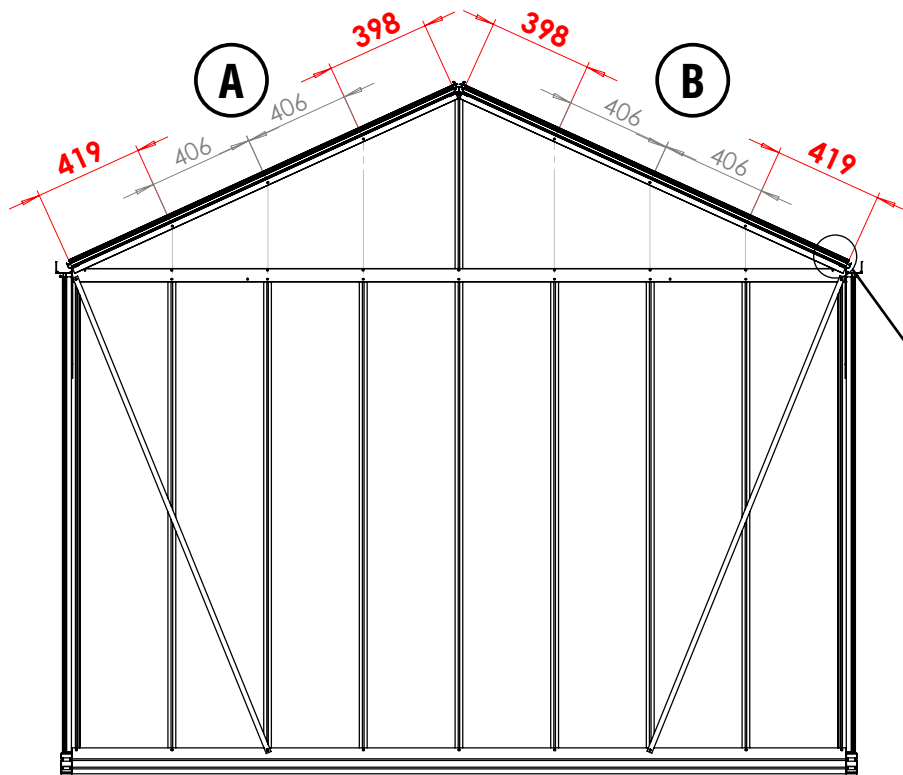
2



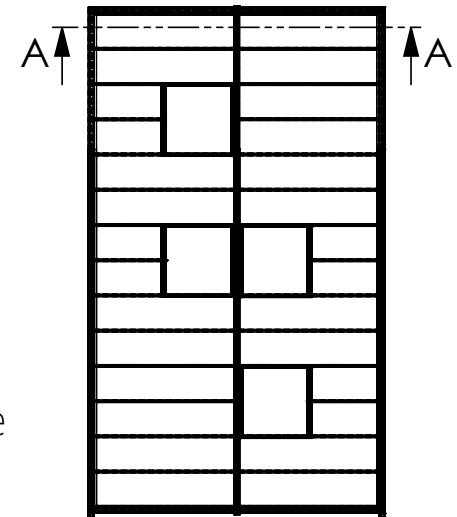
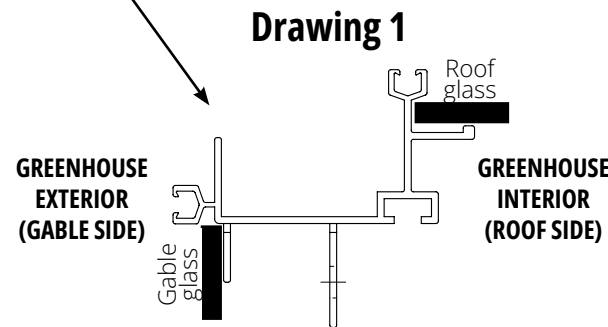
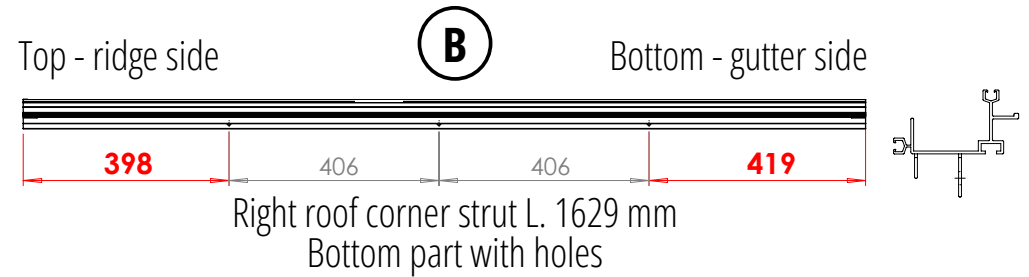
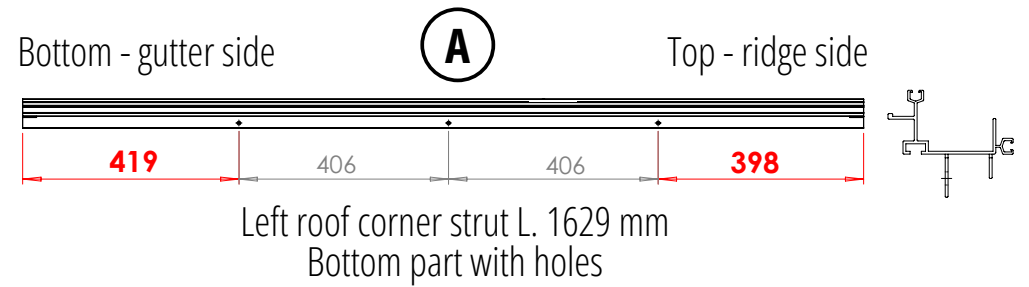
Screw one end of the gable-ridge-reinforcement together with the central gable strut onto the crossbeam

# IDENTIFYING THE LEFT AND RIGHT ROOF CORNER PROFILES - SPECIFIC FOR THE LUXIA RETRO MODELS

View A-A  
Scale 1 : 20



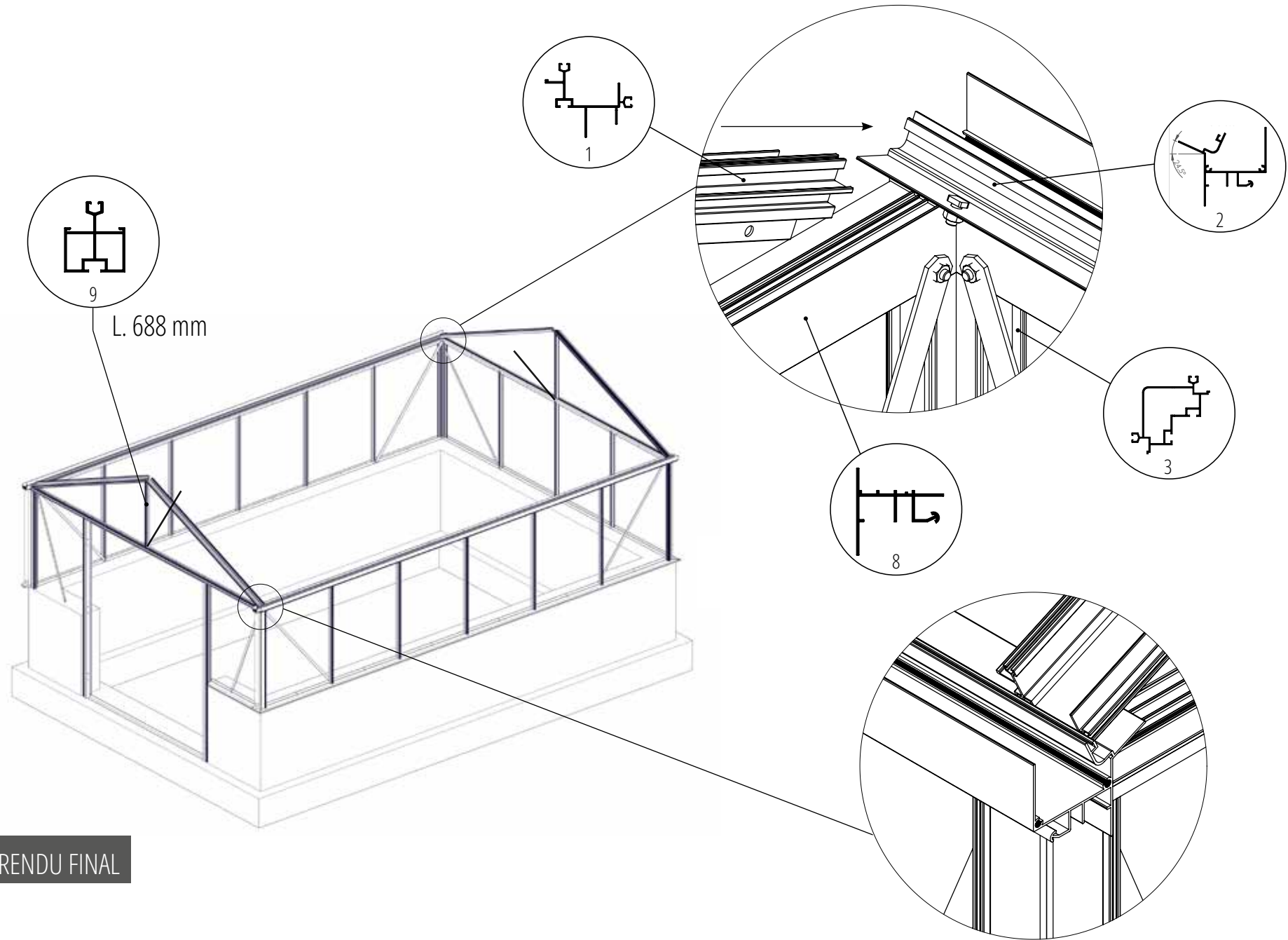
Example on a Luxia Retro 3.09m on baseframe



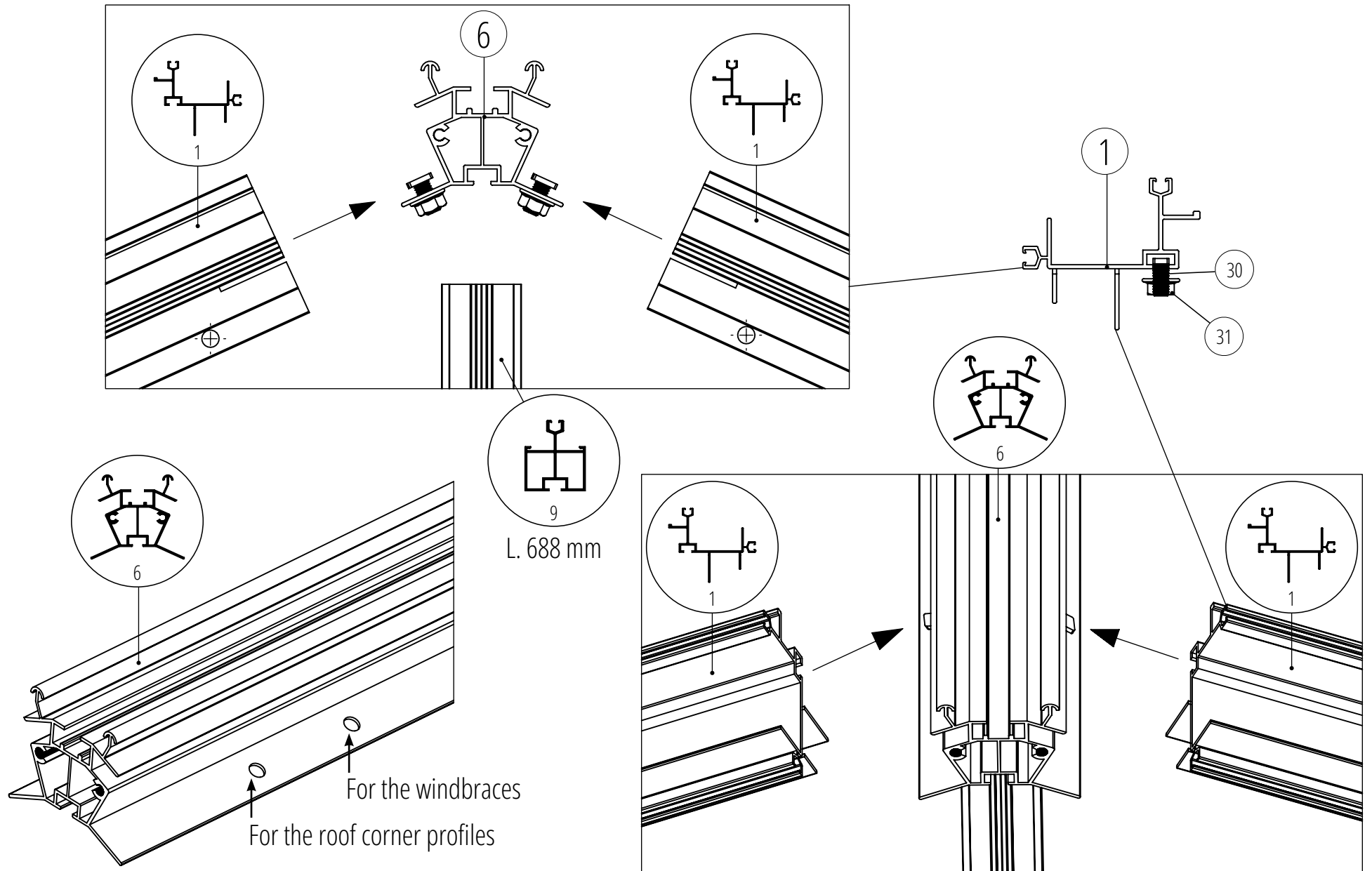
**It is important to identify the position of the 4 gable struts by following the steps below:**

- Measure the distance from the end of the strut to the first hole to determine the top part L. 398 mm (ridge side) and the bottom part L. 419 mm (gutter side).
- The holes on the strut must be at the bottom.
- Make sure of the right positioning of the gable struts (interior part / exterior part) with the help of the drawing 1.

# ASSEMBLY OF THE ROOF CORNER PROFILES TO THE GUTTER

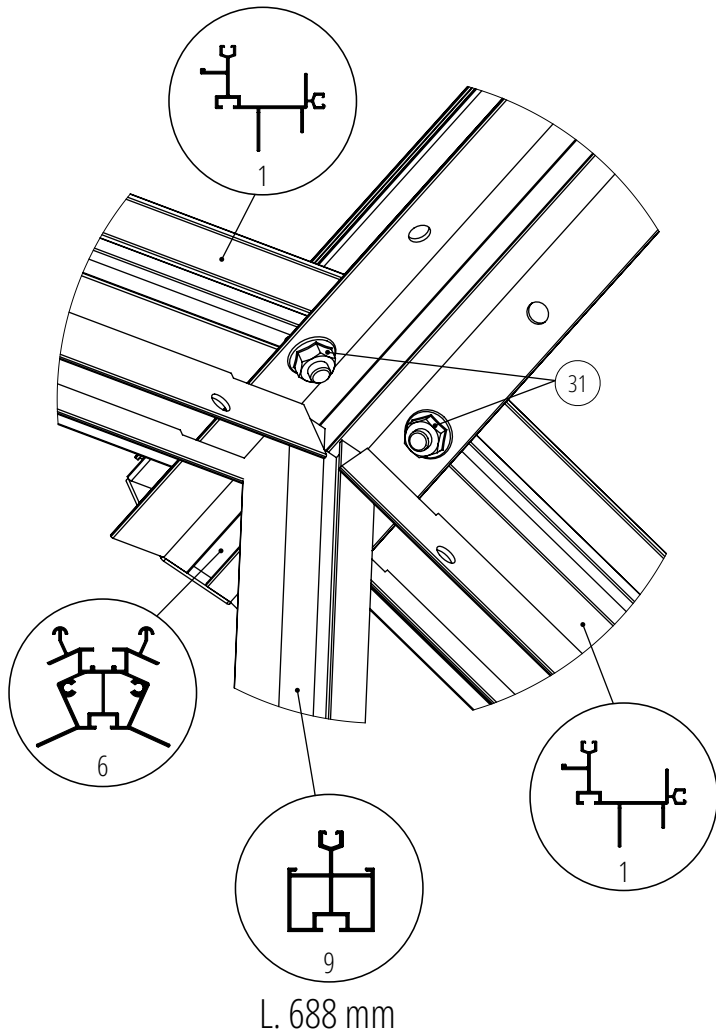


# ASSEMBLY OF THE ROOF CORNER PROFILES TO THE RIDGE

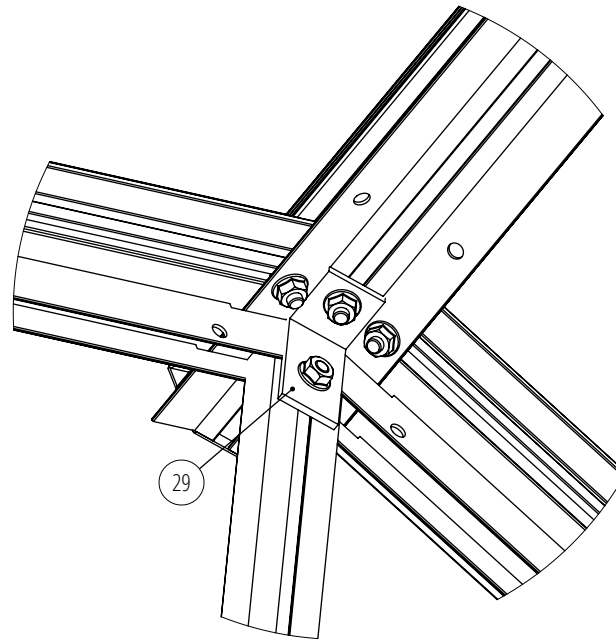


# FASTENING THE ROOF CORNER PROFILES, RIDGE AND ANGLE - OVERVIEW

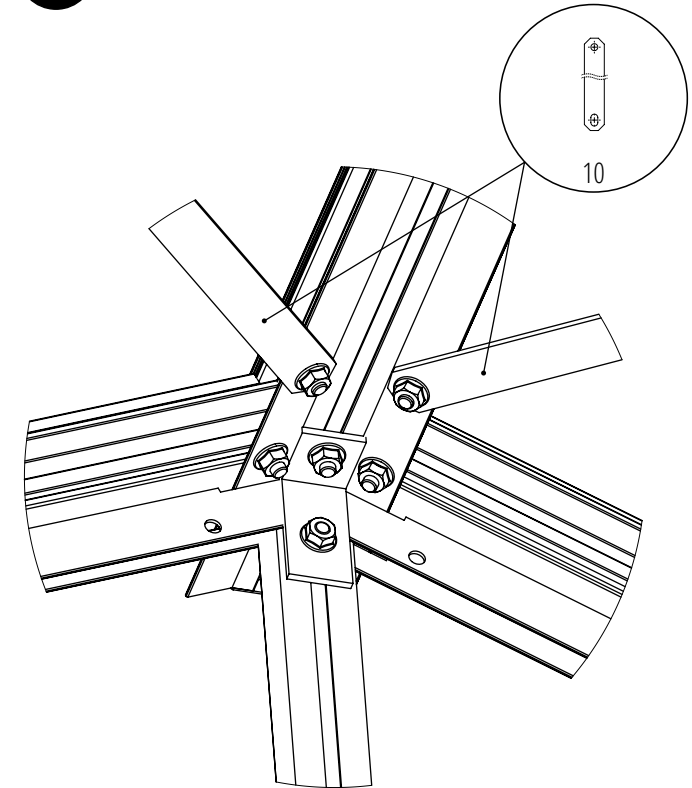
**1** Screw nuts tightly:



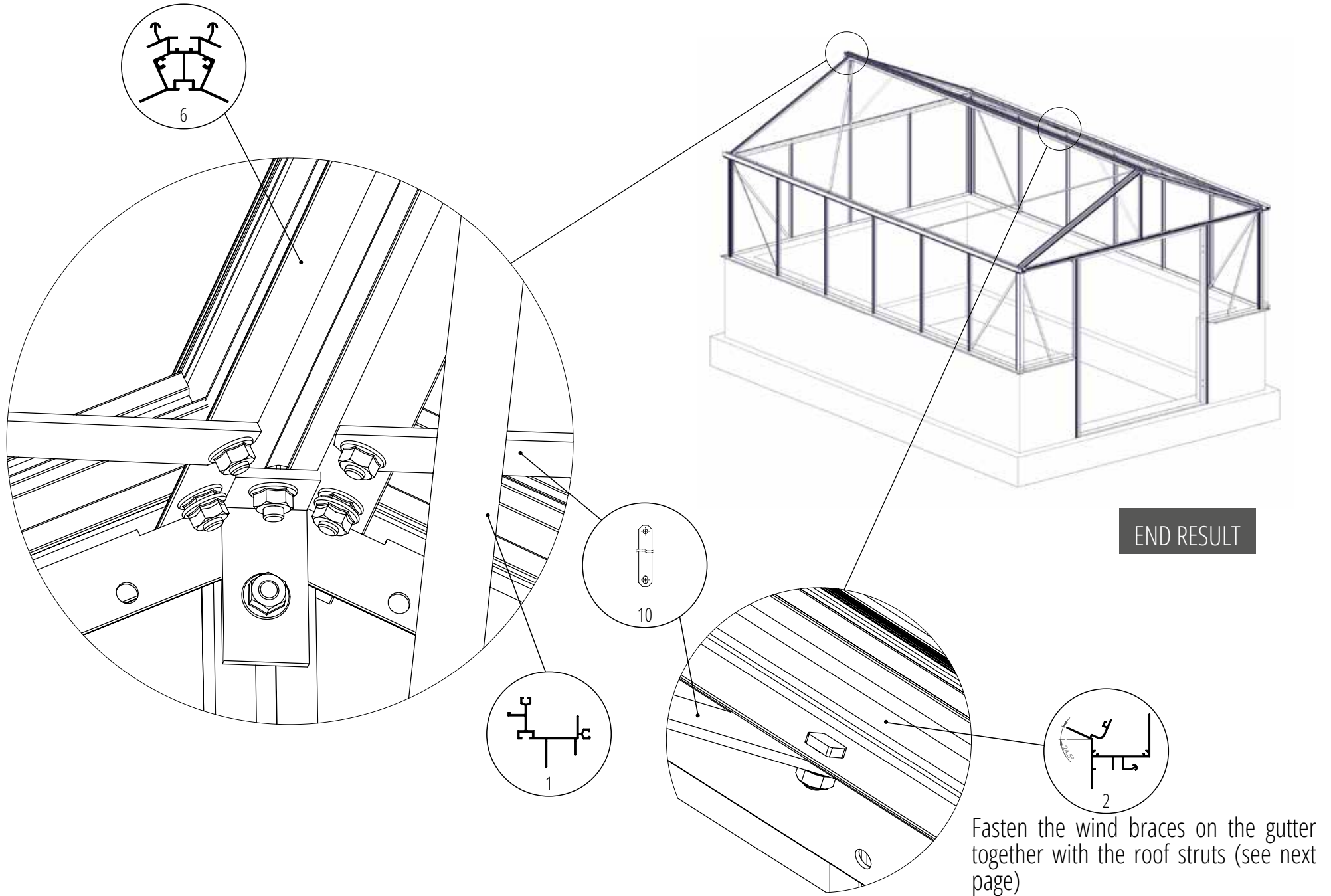
**2** Fasten the ridge angle:



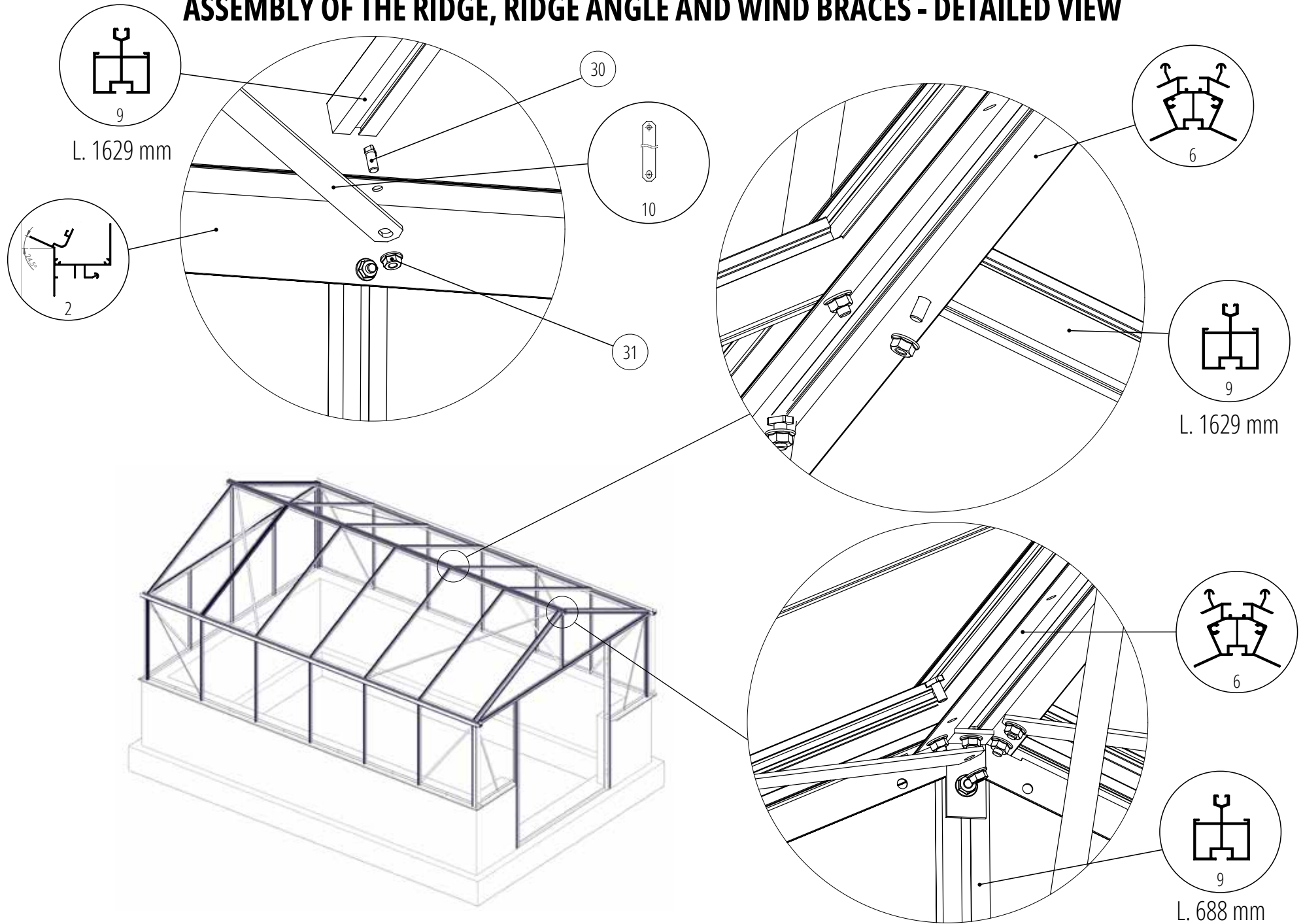
**3** Install the wind braces:



# ASSEMBLY OF THE RIDGE, RIDGE ANGLE AND ROOF WIND BRACES - DETAILED VIEW

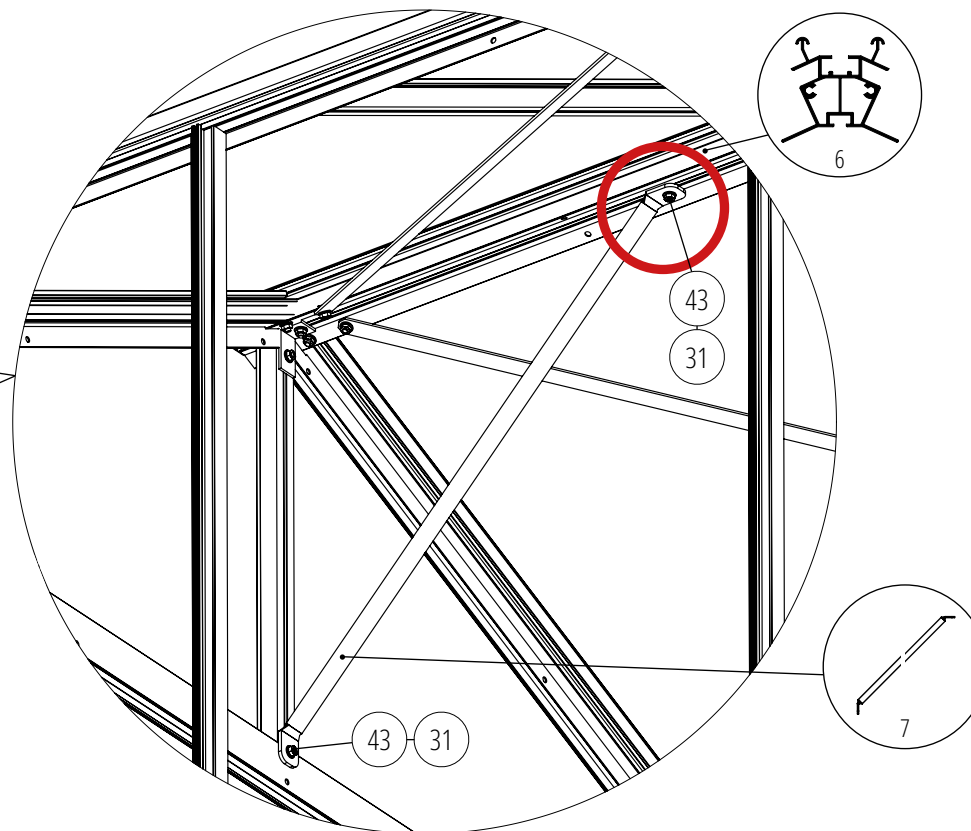
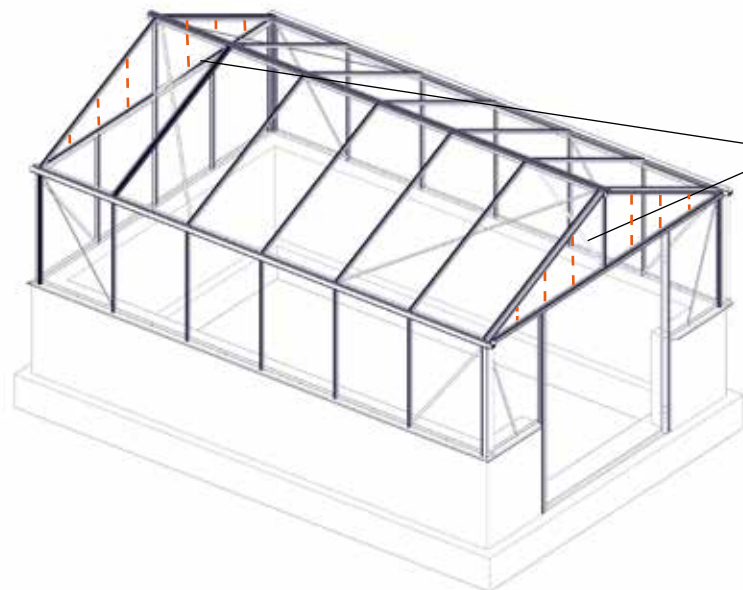


# ASSEMBLY OF THE RIDGE, RIDGE ANGLE AND WIND BRACES - DETAILED VIEW



## INSTALLING THE GABLE-RIDGE-REINFORCEMENT

END RESULT



--- Additional struts for the Retro version of the Luxia greenhouse

If you own the Retro version of this greenhouse, fix the gable struts (9) in the length 534, 365 et 197 mm respectively on the left and right side of the central gable strut L. 688 mm using the provided holes.

**The structure of your greenhouse is now assembled. Next, before installing the roof glazing and then the wall glazing, make sure that all M6 nuts are properly tightened.** 

**It is possible that the wind braces are not fully tensioned. The tension will occur as soon as the glazing is installed. You can now start the installation of the roof glazing.**

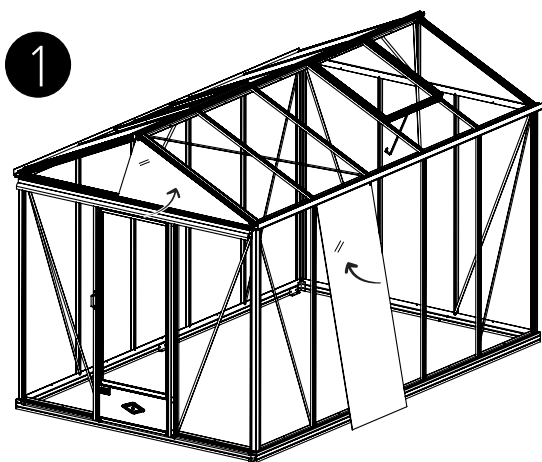
# INFORMATION OF THE INSTALLATION OF THE GLAZING AND SEAL

When installing the roof glazing, work your way one glass pane on each side of the greenhouse at a time. Do not install the glazing completely on one side and then the other. At the beginning, you can install the seal on the roof corner profiles from the outside. You can attach the seal to the upper half of the roof struts, on both sides of the greenhouse, through the open spaces created by the window(s). The installation of the seal to the lower half of the roof struts is done from the outside of the greenhouse. You then insert a new pane of glass on each side of the roof and attach the seal as before. And so on...

Suggestion: To make it easier to attach the seal to the profiles, use the seal roller provided by us. 

Important information regarding the neoprene seal:

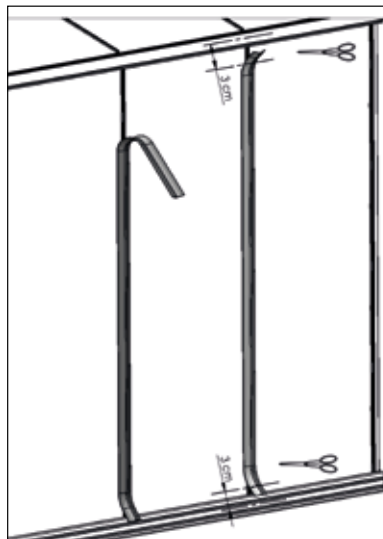
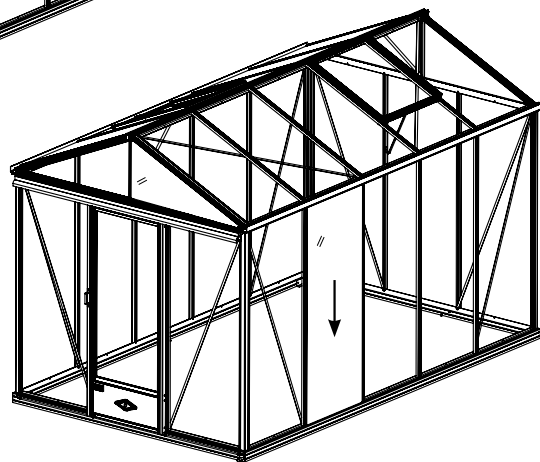
These can contract by approx. 3% due to heat. We therefore recommend that you leave 3 cm of the seal protruding at the bottom. The additional 3 cm of seal on the roof struts can be placed under the rain gutter. The additional 3 cm seal on the wall studs is left on the foundation frame.




Fix the seal along the entire length of the struts, including those of the window(s).


Length of the seal:  
- Wall : 1850 mm  
- Roof : 1700 mm

2




 **YouTube** Serres Lams


Seal




Video




Suction cup




Wall glazing




Roof glazing




Video



Video



Video



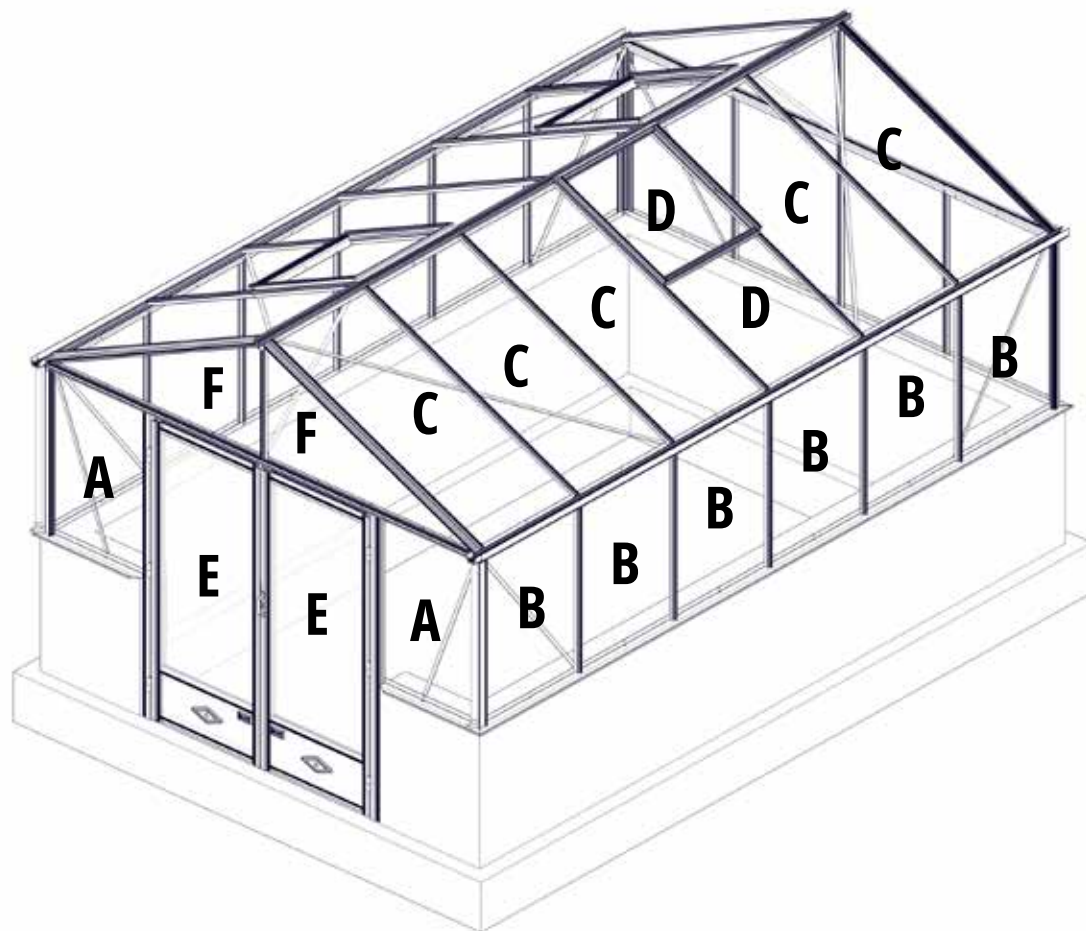
## INSTALLATION OF THE GLAZING

Below is a plan of the positioning of each of the panels (4 mm clear or hammered tempered glass, or 8 mm polycarbonate depending of your choice).

If you have replaced the glass with polycarbonate panels, the installation technique remains the same.

If you have opted for polycarbonate panels on the roof, place the obturator (59) at the bottom of each panel.

The installation of the roof windows (see page 34) should be done at the very end of the assembly (they can be installed after all the roof glazing is placed). The spaces freed up by the windows will allow you to access the top of the struts near the ridge to position your seal and roof glazing.



*Obturator (59)*



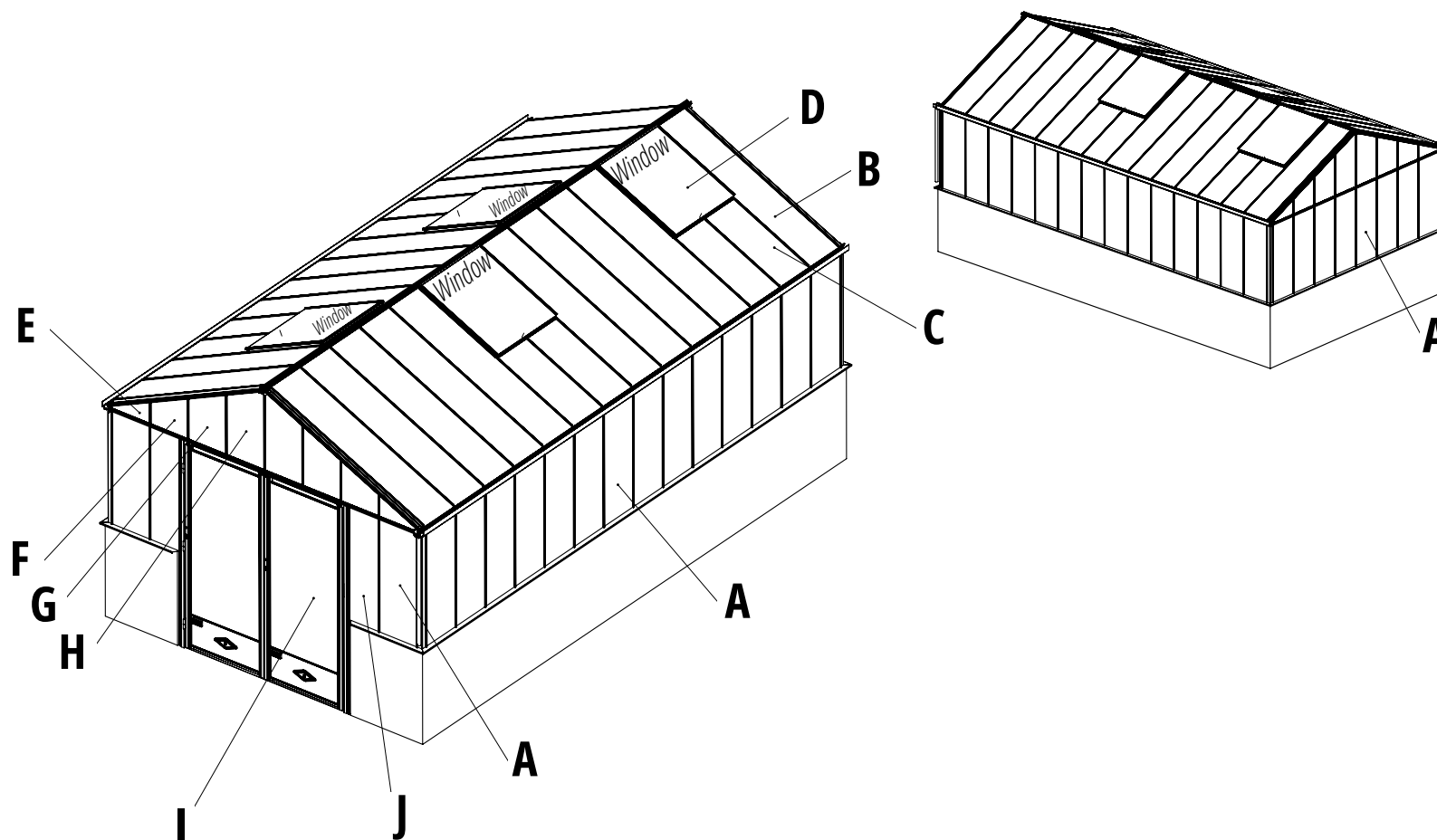
Glass	Size in mm
<b>A</b>	1015 x 650 mm
<b>B</b>	1010 x 730 mm
<b>C</b>	1650 x 730 mm
<b>D</b>	<i>Verre lucarne &amp; sous lucarne</i> 825 x 730 mm
<b>E</b>	1450 x 660 mm
<b>F</b>	1489 x 687 mm

**Use the suction cup provided when placing the glazing. Make sure that you pick up the glasses well with the suction cup.**

## INSTALLTION OF THE GLAZING - RETRO MODEL

Below is a plan of the positioning of each of the 4mm thick clear tempered glass panels for the retro version.

The open spaces provided by the roof windows allow you to access the struts at the ridge to install the roof glazing and sealing.

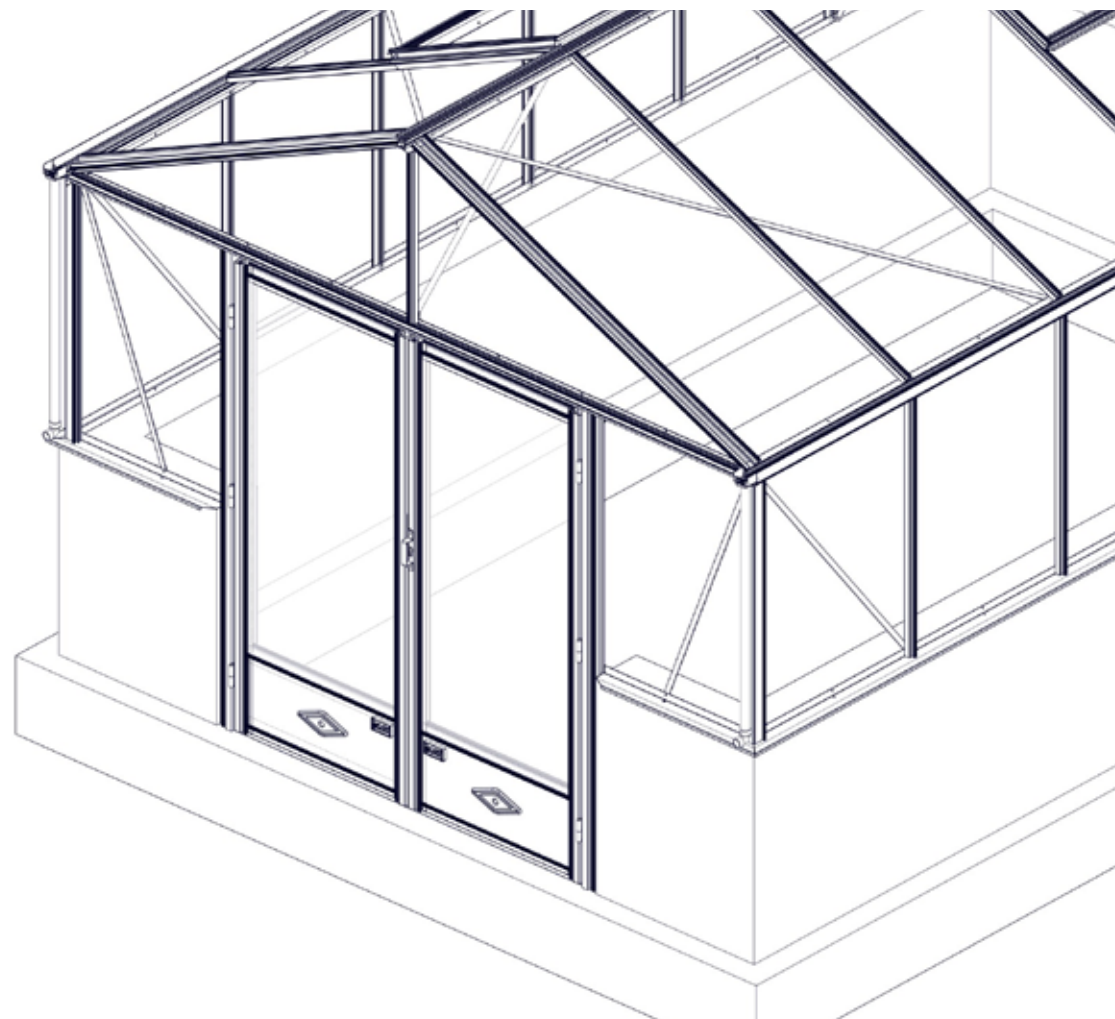


**Use the suction cup provided when placing the glazing.  
Make sure that you pick up the glasses well with the suction cup.**

Glass	Size in mm
<b>A</b>	1015 x 361 mm
<b>B</b>	1650 x 361 mm
<b>C</b>	<i>Glass under window</i> 825 x 360 mm
<b>D</b>	825 x 730 mm
<b>E</b>	184 x 370 x 15 mm
<b>F</b>	188 x 360 x 352 mm
<b>G</b>	520 x 360 x 356 mm
<b>H</b>	685 x 360 x 525 mm
<b>I</b>	1450 x 660 mm
<b>J</b>	1015 x 283 mm

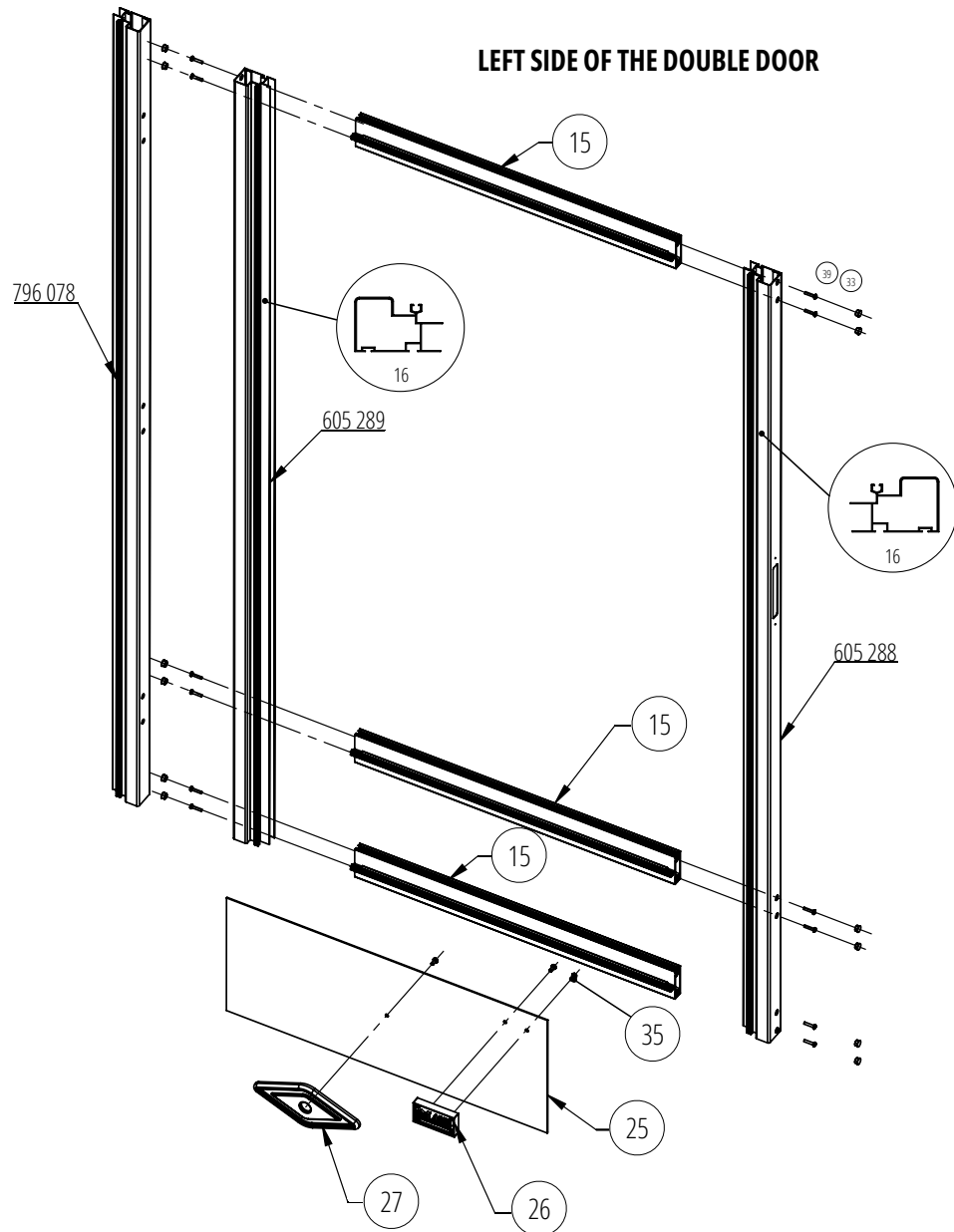
## INSTALLATION OF THE DOUBLE DOOR - PARTS LIST

*If your doors were delivered pre-assembled, you can skip to page 32*

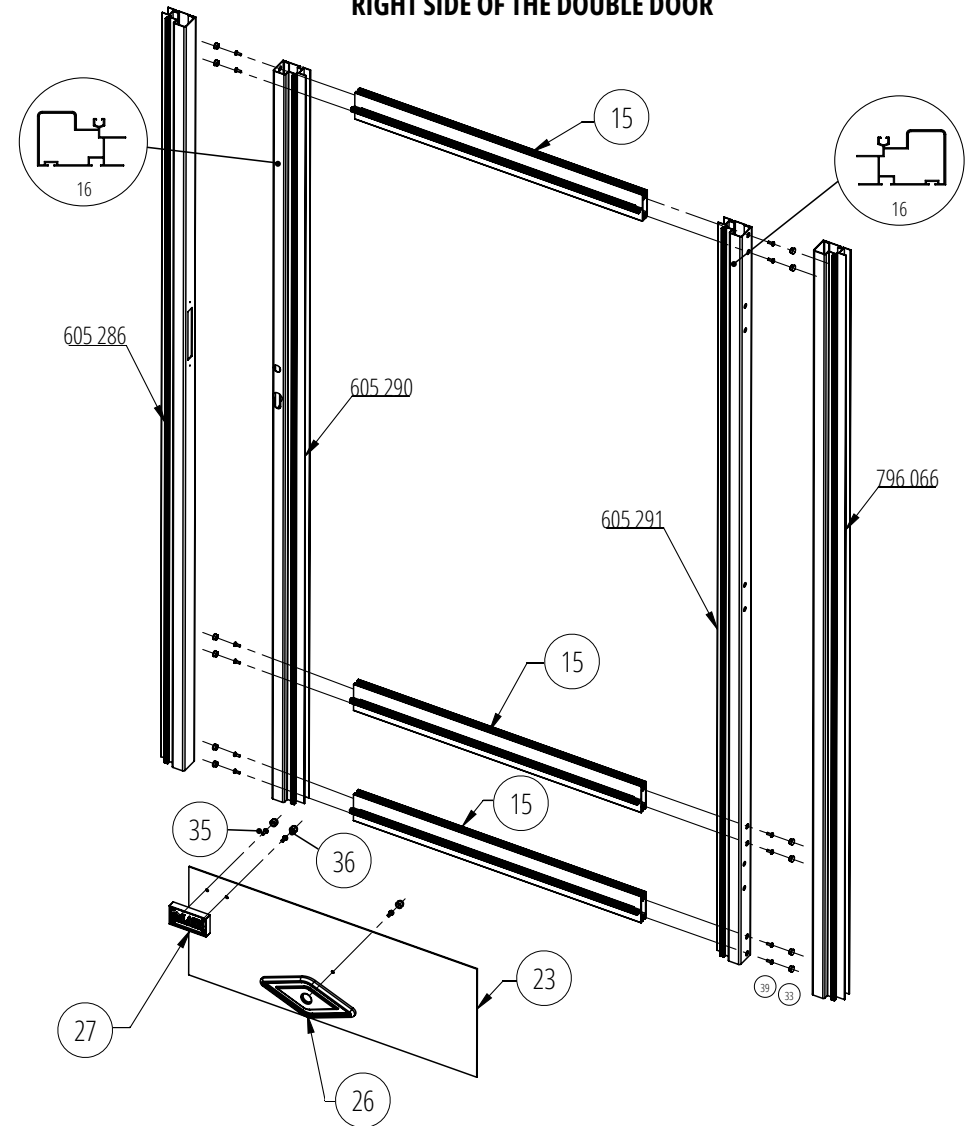


# ASSEMBLY OF THE DOUBLE DOOR

## LEFT SIDE OF THE DOUBLE DOOR



## RIGHT SIDE OF THE DOUBLE DOOR

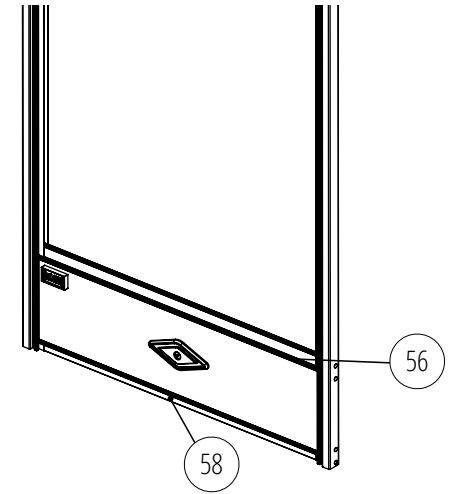


# ASSEMBLY OF THE DOUBLE DOOR



Place the doorplate (23) at the bottom of the door. Position the lower door panel at the bottom of the door. To hold it in place on the door, fix the rubber seal (58) on the bottom profile by placing its lip side of on the panel sheet. Allow it to protrude by 1 cm on each side.

You can now place the door onto the greenhouse using the hinges.



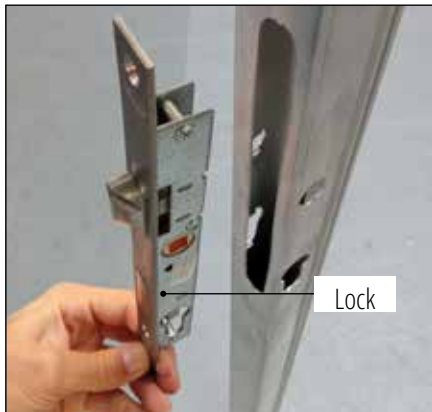
Screw pozi M6x20 - Réf. 365418  
Hinge - Left 364404  
Hinge - Right 364405



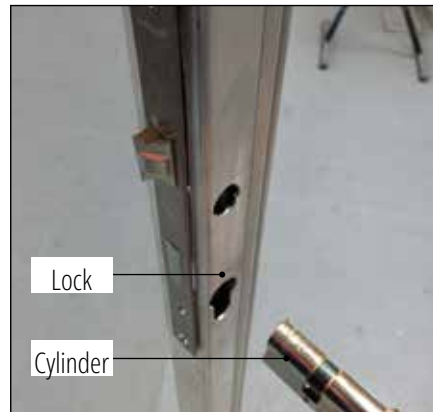
Screw 4,2 x 15 mm - 365426  
Strike - 796763

Assembling of the door profile with the lock and handles

Installing the lock

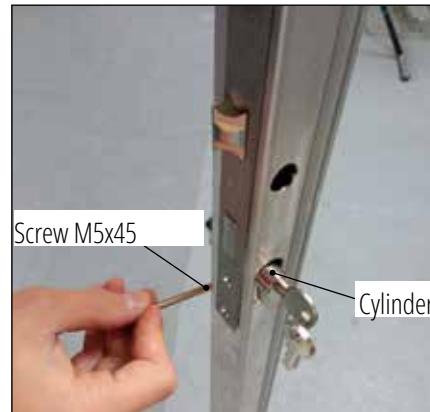


Lock



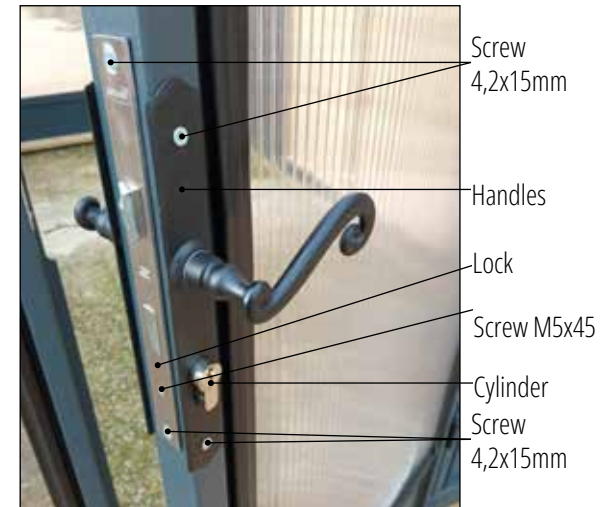
Lock

Cylinder



Screw M5x45

Cylinder



Screw 4,2x15mm

Handles

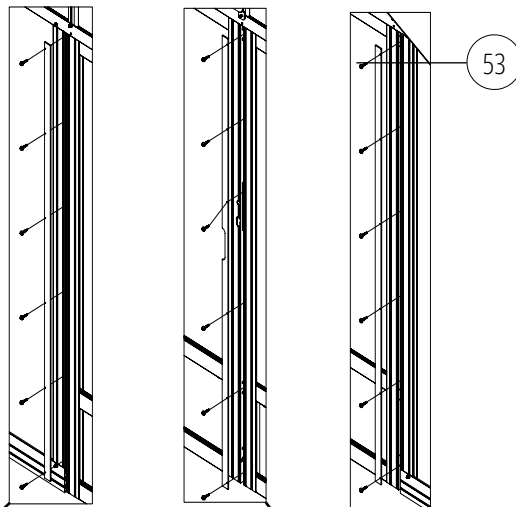
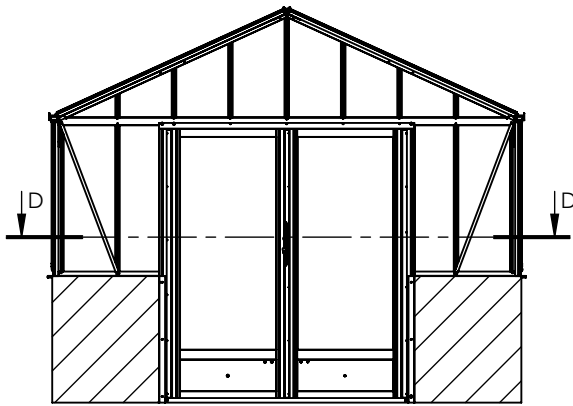
Lock

Screw M5x45

Cylinder

Screw 4,2x15mm

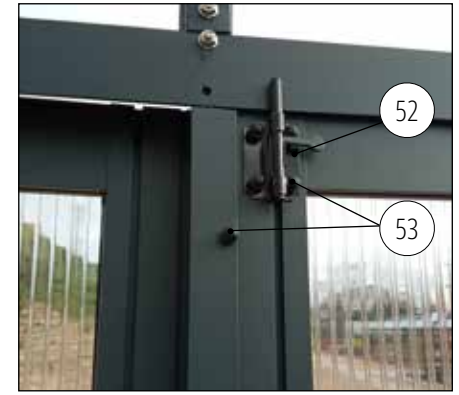
Cut for double door



Interior view:

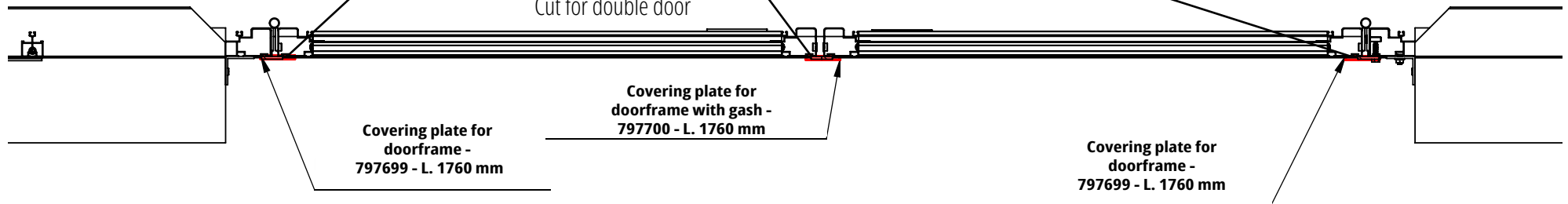


Installing the bolt (interior view). The bolt is to be fixed on the top and bottom of the left door (door profile with the strike).



Cut D-D

Cut for double door



Fixing the bolt (interior view) :



Bolt (52)  
Lens-head drilling screw  
4,2x15mm

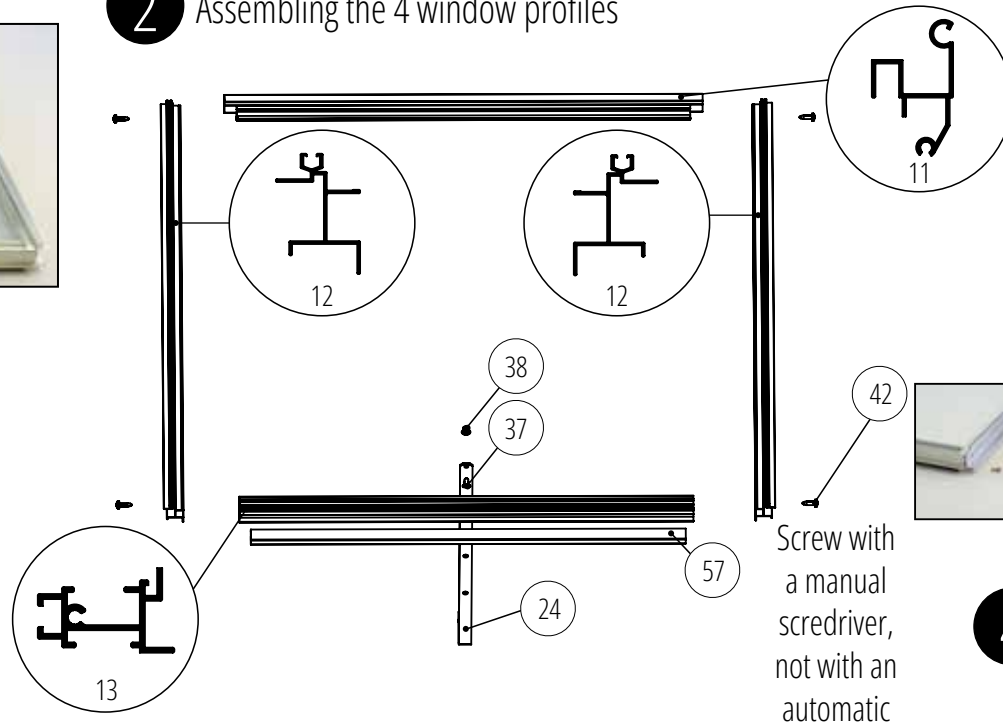
Once all the glazing was placed on the greenhouse, you can add the door, then its glass.  
To hold the glass in place, fix the seal (58) on the top intermediate profile with its lip side on the glass, then the seal (56) on the middle intermediate profile.

## END RESULT

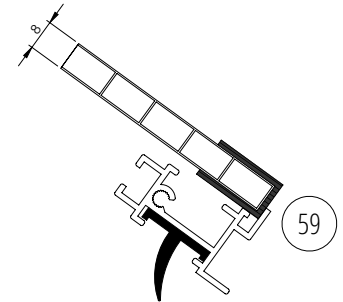


# INSTALLATION OF THE ROOF WINDOW

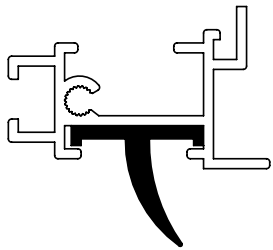
## 2 Assembling the 4 window profiles



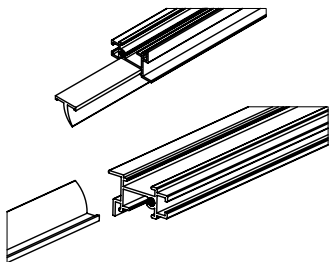
If you have 8mm polycarbonate panels on the windows, place the obturator (59) on the lower part of the panel.



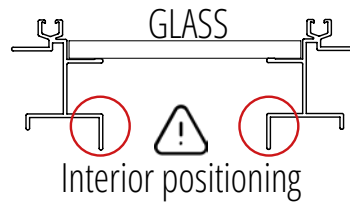
## 1 Glide the seal (57) into the bottom window profile (13)



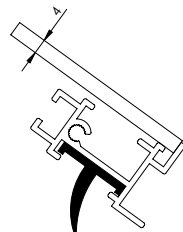
Placing the seal (57) in the bottom window profile (13)



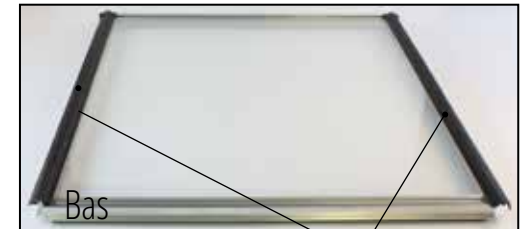
## Positionnement des deux profils de côté



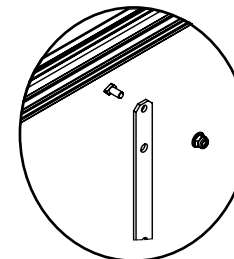
## 3 Place the glass on the window frame



## 4 Fix the seal (58) on the window so that the side with the lip rests on the glass.



## 5 Fix the manual window opener to the window



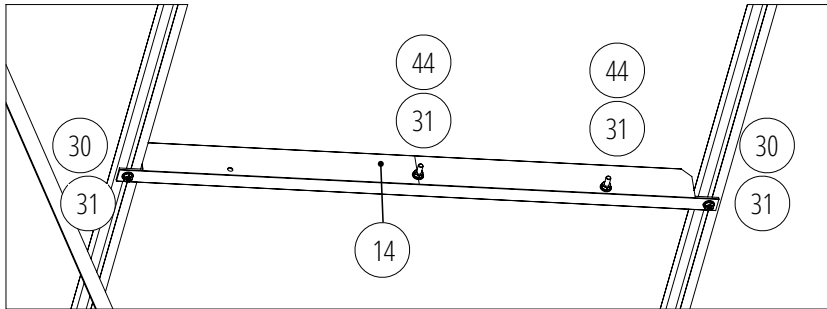
# INSTALLATION OF THE ROOF WINDOW

**Assemble the window completely (with glass pane) as indicated on the previous page before installing the window on the roof.**

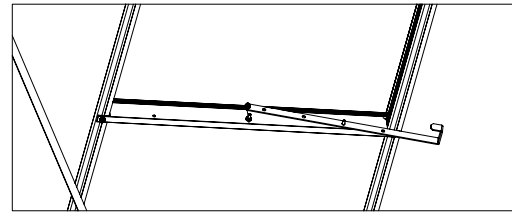
## 1 Installation of the window stopper

Fasten the hammer-head screw (30) and nut (31) to the window stop profile by standing under the greenhouse.

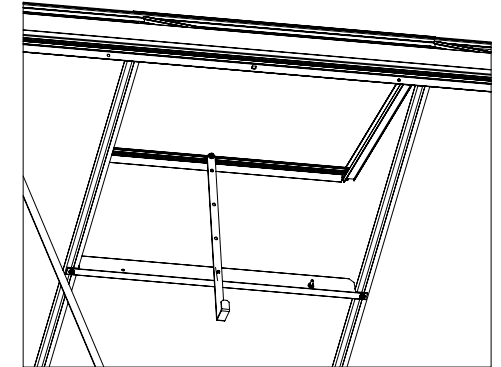
To hold the manual window opener horizontally or vertically, fix a screw (44) in the middle hole and in one of the side holes, which is held by a nut (31).



Manual window opener closed



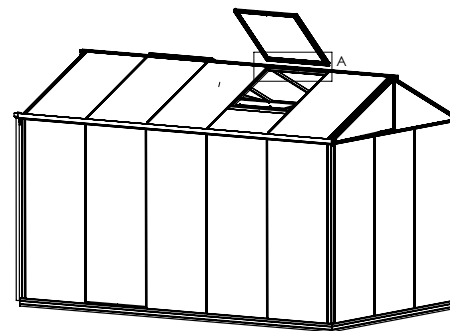
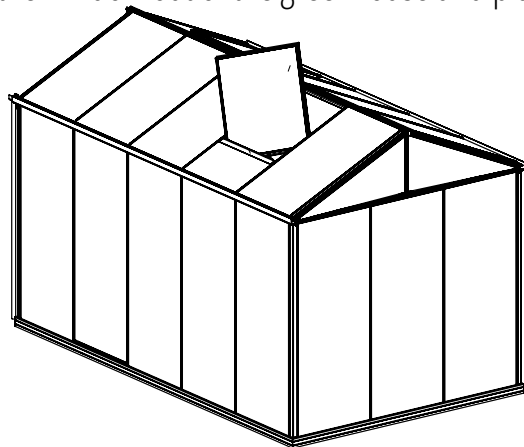
Manual window opener open



In case of strong wind, the manual window opener can be lifted and open (possibly even fall out of the ridge) even though it is in the closed position. To avoid this we recommend to block the manual window opener with the nut (31) and the screw (44).

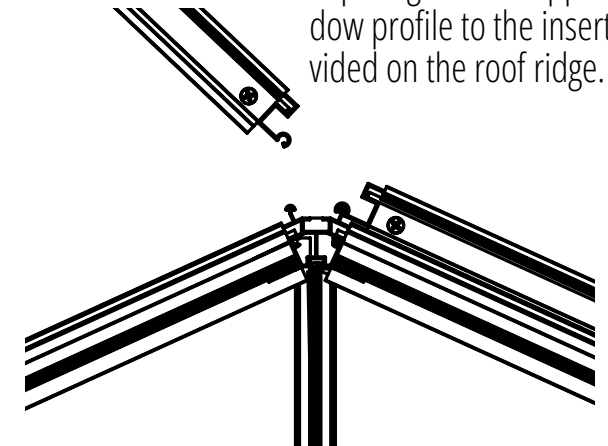
## 2 Installation of the window

Lift the window out of the greenhouse and place it in front of the ridge.



## 3 Fastening the window

Clip or glide the upper window profile to the insert provided on the roof ridge.

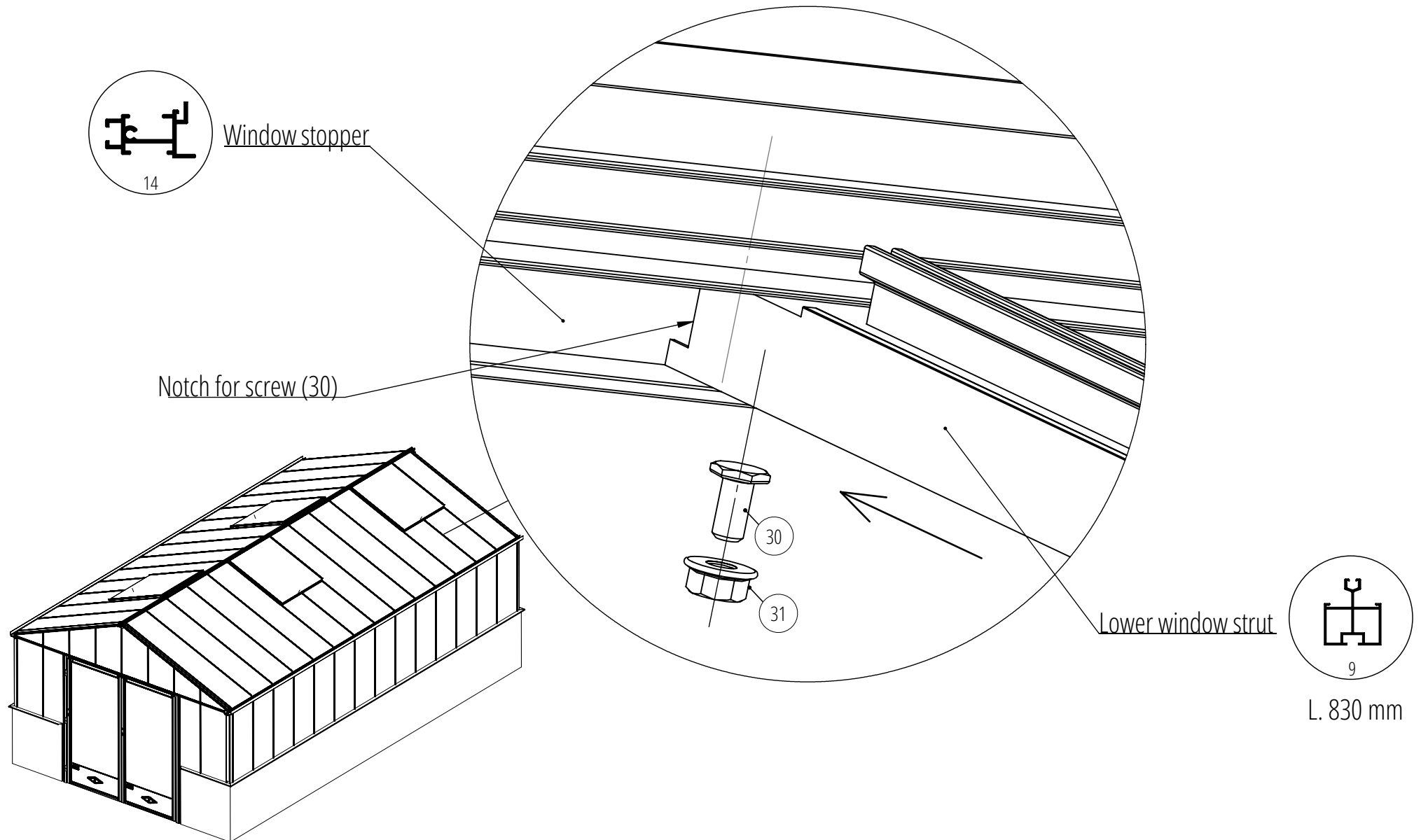


You can then add more windows. Just note that two windows cannot be placed next to each other. There must always be a pane of glass between them.

# INSTALLATION OF THE LOWER WINDOW STRUT

Slide the under-window strut into the window stopper

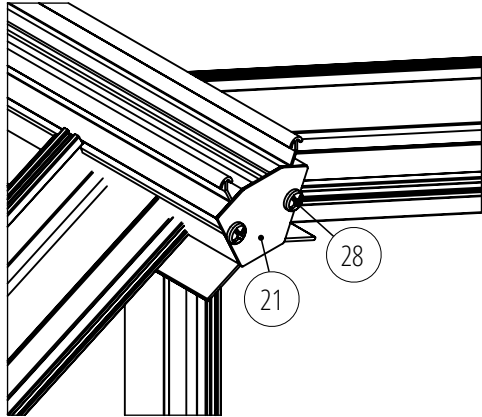
Place the screw (30) into the hole on the window stopper and fasten without force the nut (31). Glide the notch of the under-window strut into the screw (30) as far as possible and fasten the nut.



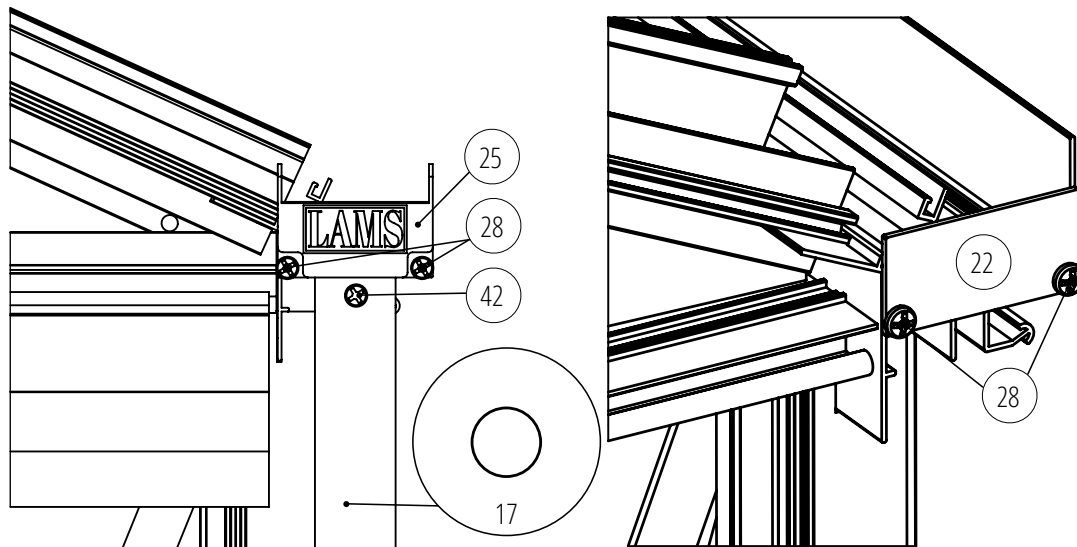
# COMPLETION

Follow the steps in the given order:

## 1 Fastening ridge cover

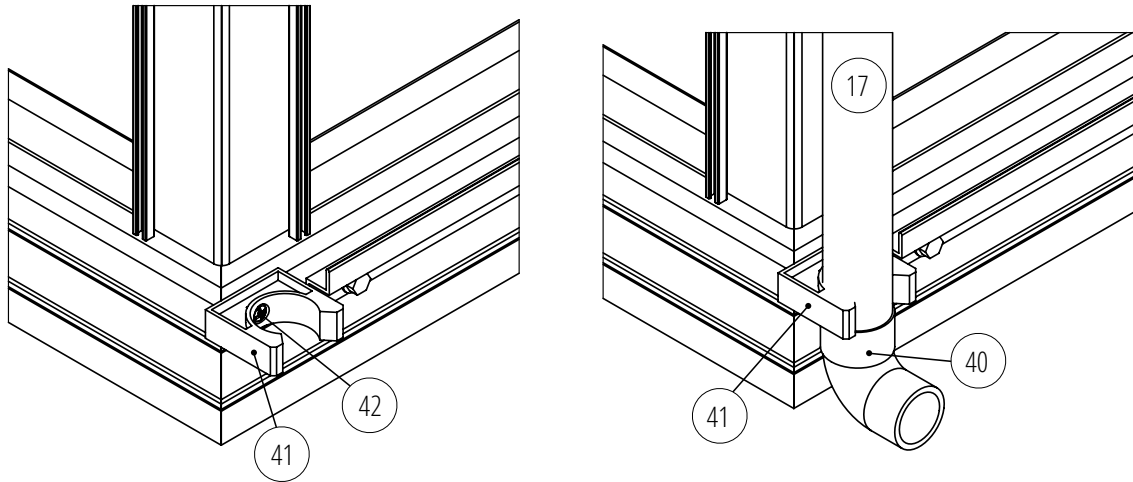


## 2 Fastening the gutter outlet and endpiece



## COMPLETION

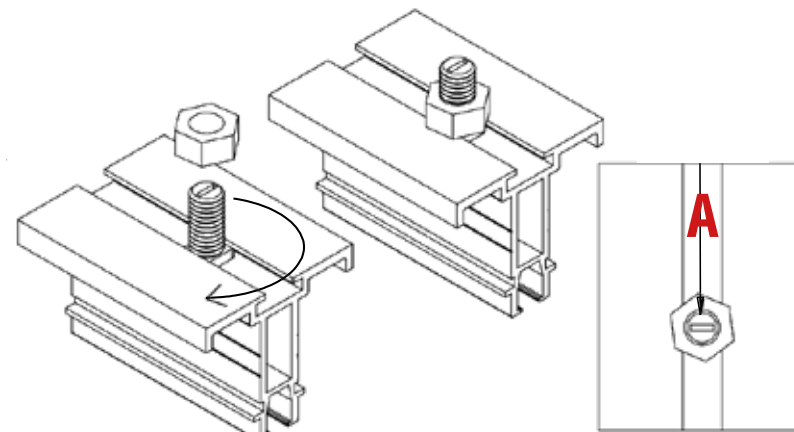
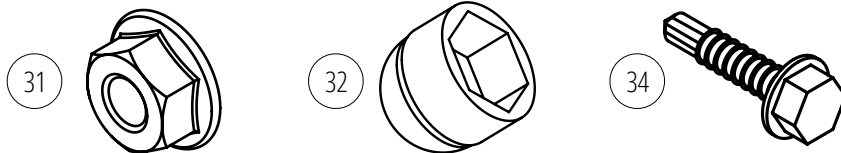
### 3 Fastening the lower downpipe part



First attach the pipe bracket to the downpipe. If the downpipe is painted, the paint may interfere with handling. Use a little sandpaper to remove some of the paint and make it easier to attach the angle bracket. Then attach the downpipe to the downpipe connection. Then attach the downpipe clamp (41) so that the downpipe is vertical and properly aligned.

### 4 Add the plastic cover caps

Your greenhouse is now completely ready. You can put the plastic cover caps (32) on the M6 nuts (31) and hexagonal drill screws (34). Use this last step to check one last time that the nuts are correctly tightened and that the hammer-head screws (37) have been fitted correctly, perpendicular to the profile gap (A).



## INSTALLING THE RIDGE CRESTING

*The ridge crestring is optional and can be ordered at any time on our website*

The victorian ridge crestring with fleurs de lys design and spikes on the extremities is made of aluminium smelter. The pieces are delivered seperately from the greenhouse structure and can be added or removed at any time.

### ASSEMBLING STEPS

- 1 Glide the crestring pieces into the ridge slot as pictured  
The spiked can be placed at the extremities if wished (cut off excess crestring pieces).



- 2 Attach the ridge cap to secure the ridge crestring.



Watch the video on our YouTube channel.



## OPTIONS & ACCESSORIES

These products can be ordered at any time after purchasing your greenhouse on our website [www.serres-lams.com](http://www.serres-lams.com)

### REGULATE THE TEMPERATURE IN THE GREENHOUSE



#### **Automatic window opener**

Provides an automatic opening and closing of the window depending the indoor temperature.



#### **Shading system**

Protects your plants or interior furnishings from strong sunlight (magnifying glass effect).



#### **Additional roof window**

Provides an additional opening to ventilate your greenhouse.



#### **Side window**

Provides an additional opening to ventilate your greenhouse.

## OPTIONS & ACCESSORIES

These products can be ordered at any time after purchasing your greenhouse on our website [www.serres-lams.com](http://www.serres-lams.com)

### GREENHOUSE SET-UP



**Table**



**Cultivation tray with removable bottom**



**Cultivation tray with waterproof**



**Shelves**

Useful accessories for a good use of your greenhouse: preparation of the plants, storage place during gardening,...



*French glasshouses designer & manufacturer since 1993*